

IN THE UNITED STATES PATENT AND TRADEMARK OFFICE

In re International Application of
Sadayuki ABETA, Mamoru SAWAHASHI and Fumiyuki ADACHI

International Serial No.: PCT/JP99/02154

International filing date: April 22, 1999

For: CDMA RECEIVER AND CDMA TRANSCEIVER

VERIFICATION OF TRANSLATION

Honorable Commissioner of Patent and Trademark
Washington, D.C. 20231

Sir:

Masashi SHINKAI residing at c/o TANI & ABE, No. 6-20,
Akasaka 2-chome, Minato-ku, Tokyo 107-0052, Japan,
declares:

(1) that he knows well both the Japanese and
English languages;

(2) that he translated the claims of the above-
identified International Application from Japanese to
English;

(3) that the attached English translation is a
true and correct translation of the claims, specification
and drawings of the above-identified International
Application to the best of his knowledge and belief; and

(4) that all statements made of his own
knowledge are true and that all statements made on
information and belief are believed to be true, and further
that these statements are made with the knowledge that
willful false statements and the like are punishable by
fine or imprisonment, or both, under 18 USC 1001, and that
such false statements may jeopardize the validity of the
application or any patent issuing thereon.

December 3, 1999

Date

M. Shinkai

Masashi SHINKAI

SPECIFICATION

TITLE OF THE INVENTION

CDMA RECEIVER AND CDMA TRANSCEIVER

5

TECHNICAL FIELD

The present invention relates to a CDMA (Code Division Multiple Access) receiver and a CDMA transceiver which have high resistance to fading fluctuations, and carry out highly accurate channel estimation, considering the rate of channel fluctuations (propagation path fluctuations).

BACKGROUND ART

15 In a mobile communication environment, fluctuations in amplitude and phase can take place in a propagation channel because of Rayleigh fading caused by variations in relative locations of a mobile station and a base station. Therefore, it is
20 common for a conventional phase modulation method which transmits data (information) by carrier phase to impose data on relative phases of successive symbols by differential encoding on a transmitting side, and to make identification and decision of the
25 data by differential detection on a receiving side.

In the differential detection, however, one bit error in a radio section causes two bit error because the data to be transmitted is modulated with the differential encoding as mentioned above. Thus, 5 under the same SNIR (Signal to Noise and Interference power Ratio), the received error rate will increase by 3 dB from that of the coherent detection such as binary phase shift keying (BPSK).

On the other hand, although the coherent 10 detection that decides the phase of a received signal for each data symbol by the absolute phase has highly efficient receiving characteristics, it is difficult to decide the received absolute phase in a Rayleigh fading environment.

15 To solve the problem, a method is proposed that insert pilot symbols into a data symbol sequence, and carries out channel estimation of the data symbols using the pilot symbols. As a pilot symbol insertion method, there are a time multiplexed pilot 20 channel method that inserts pilot symbols between data symbols, and a parallel pilot channel method that inserts pilot symbols in parallel with data symbols.

The following references 1-3 propose a channel 25 estimation method based on the time multiplexed pilot channel method.

Reference 1: Seiichi Sampei and Terumi Sunaga,
"Rayleigh Fading Compensation for QAM in Land Mobile
Radio Communication", IEEE Trans. Vehicular Technol.
VT-42, No.2, May 1993. It proposes a method of
5 estimating and compensating for the fading
distortion using pilot symbols that are inserted
between data symbols at fixed intervals and have
known phases. In this method, a pilot symbol is
inserted at every several data symbol intervals, and
10 the channel estimation is carried out based on the
received phases of the pilot symbols. In other
words, it measures the amplitude and phase of the
received signal of each path of each user at the
pilot symbols before and after the current data
15 symbol section, and estimates the channel
fluctuations in the data symbol section by
interpolating the measured values.

Reference 2: Hidehiro Ando et.al, "Channel
Estimation Filter Using Time-Multiplexed Pilot
20 Channel for Coherent RAKE Combining in DS-CDMA",
Mobile Radio, IEICE Trans. Commun. Vol.81-B, No.7,
July 1998. It proposes a method of carrying out
more highly accurate channel estimation by making
channel estimation using more pilot symbols.

25 Fig. 23 is a diagram illustrating a channel
estimation method based on the reference 2. In this

method, the transmission power control is carried out at every slot interval to follow instantaneous Rayleigh fluctuations. Therefore, as illustrated in Fig. 23, the amplitude (power) of the combined
5 symbol sequence of data symbols and pilot symbols varies at every slot interval, and the phase also varies slightly due to the operation of an amplifier during transmission. Such transmission power control enables a reverse channel of the DS-CDMA
10 (Direct Sequence CDMA) to secure the SNIR against interference signals caused by cross-correlation with other users.

The channel estimation of the data symbols is performed using pilot symbols inserted between data
15 symbols at fixed intervals. Specifically, it is carried out by averaging (taking coherent sums of) pilot symbols (estimated complex fading envelopes) in a plurality of slots before and after the slot, to which the data symbols to be subjected to the
20 channel estimation belong, and by obtaining a channel estimation value $\tilde{\xi}$ by taking the weighted sum (weighted average) of the average values $\bar{\xi}$ using weighting factors α_0, α_1 and so on, thereby achieving highly accurate channel estimation.

Using many pilot symbols belonging to different slots enables highly accurate channel estimation. This is because in an actual mobile propagation environment, interference signals, which are
5 generated by thermal noise (to minimize the transmission power, a noise limited environment is created particularly at cell edges), and by cross-correlation from other users, are added to the desired signal of the current channel, and the
10 channel estimation accuracy is degraded because of the phase and amplitude of the received signal that vary at every moment due to fading. Although the pilot symbols in different slots have different power, the channel estimation error due to the power
15 difference is less than the reduction effect by the thermal noise and interference signals caused from using pilot symbols in more slots.

The reference 2 method assumes that the channel fluctuations in each slot are small, and employs the
20 same weighting factors α for all the data symbols in each slot to obtain the same channel estimation value $\tilde{\xi}$. This presents a problem of impairing the characteristics in high rate fading.

Reference 3, Sadayuki Abeta et.al, "Performance
25 Comparison between Time-Multiplexed Pilot Channel

and Parallel Pilot Channel for Coherent Rake
Combining in DS-CDMA Mobile Radio", IEICE Trans.
Commun. Vol.81-B, No.7, July 1998. It proposes a
method of achieving highly accurate channel

5 estimation in making channel estimation of the data
symbols by obtaining a channel estimation value by
appropriately taking weighted sum of the pilot
symbols in a plurality of slots before and after the
slot, to which the current data symbols belong,
10 using appropriate weighting factors for each data
symbol in the same slot (weighting factors $\alpha_{m,0}$, $\alpha_{m,1}$
and so on for m-th data symbol in the slot). First
to fourth embodiments in accordance with the present
invention apply this scheme (see, Fig. 3).

15 For example, in Fig. 23, for the (m-A)-th data
symbol in the n-th slot, where A is a natural
number, the pilot symbols in the n-th slot are
assigned a greatest weight. This is because the
pilot symbols in the n-th slot are closest (in time)
20 to the (m-A)-th data symbol, and hence best reflect
the channel state when receiving the data symbols.
In contrast, for the (m+B)-th data symbol in the n-
th slot, where B is a natural number, the pilot
symbols in the (n+1)-th slot are assigned a greatest
25 weight. This is because the pilot symbols in the
(n+1)-th slot are closest (in time) to the (m+B)-th

data symbol, and hence best reflect the channel state when receiving the data symbols.

As for the parallel pilot channel method, the following reference 4 and the foregoing reference 3
5 disclose a channel estimation method based on the method.

Reference 4, Sadayuki Abeta et.al, "DS/CDMA Coherent Detection System with a Suppressed Pilot Channel", IEEE GLOBECOM'94, pp. 1622-1626, 1994. It
10 proposes a method of estimating and compensating for the fading distortion by inserting pilot channel having known phase in parallel with and perpendicular to the data channel for transmitting data.

15 The channel estimation of the data symbols is carried out by averaging the pilot symbols in a section to which the target data symbol belongs, and by obtaining the channel estimation value. Thus, the channel estimation with high SNIR is achieved.
20 By using the estimation value, the received signal in each path of each user is detected at the positions of the pilot symbols in the current data symbol section, and the amplitude and phase measurement is carried out for the signal of each
25 path so as to estimate and compensate for the channel fluctuations in the data symbol section.

When performing the channel estimation of the data symbols in the reference 4 method, the average of the pilot symbols is calculated only within the slot including the target data symbol, and the average is made the channel estimation value.

The foregoing reference 3 proposes a method of achieving more highly accurate channel estimation by obtaining a more highly accurate channel estimation value by taking weighted sum of the pilot symbols appropriately when carrying out the channel estimation of the data symbols. This method is applied to the fifth to eighth embodiments in accordance with the present invention (see, Fig. 14).

Fig. 14 illustrates the channel estimation method disclosed by the reference 3. In Fig. 14, the channel estimation is carried out using a pilot symbol sequence parallel to the data symbol sequence. Specifically, it obtains the channel estimation value $\tilde{\xi}$ by generating a plurality of pilot blocks from the pilot symbols, by averaging the pilot symbols in each of the pilot blocks, and by taking a weighted sum of the average values $\bar{\xi}$ using weighting factors α_1, α_{-1} and so on, thereby achieving highly accurate channel estimation. Using

many pilot symbols belonging to different slots in carrying out the channel estimation enables the highly accurate channel estimation.

To suppress the power loss, the power of the pilot symbol sequence is set less than that of the data symbol sequence. In addition, to follow the instantaneous Rayleigh fluctuations, the transmission power control is performed at every slot interval. This enables the reverse channel in the DS-CDMA to secure the SNIR against the interference signals caused by the cross-correlation from other users.

The methods disclosed in the foregoing references 3 and 4, however, use constant weighting values regardless of the fading fluctuations. This presents a problem in that when setting optimum weighting values for low rate fading fluctuations, the highly accurate channel estimation cannot be achieved in the high rate fading, whereas when setting optimum weighting values for high rate fading fluctuations, the highly accurate channel estimation cannot be achieved in the low rate fading.

25 DISCLOSURE OF THE INVENTION

The present invention is implemented to solve the foregoing problems. It is therefore an object of the present invention to improve the resistance to fading fluctuations and to carry out the highly accurate channel estimation by adaptively optimizing
5 the weighting values for the pilot symbols in response to the rate of channel fluctuations.

Achieving highly accurate channel estimation and compensation of channel fluctuations of data symbols
10 based on the channel estimation makes it possible to decide the absolute phase of each data symbol under a Rayleigh fading environment using the coherent detection, and to reduce the SNIR required for obtaining a predetermined level of receiving quality
15 (receiving error rate). Therefore, the transmission power can be reduced, and the capacity in terms of the number of users of the system can be increased.

In order to accomplish the object
aforementioned, according to the invention as
20 claimed in claim 1, a CDMA receiver for receiving and demodulating a signal including a combined symbol sequence that has a plurality of slots and includes data symbols and pilot symbols, comprises:
means for detecting positions of the pilot
25 symbols in the combined symbol sequence;

means for generating pilot blocks by extracting in a plurality of slots the pilot symbols from the combined symbol sequence in response to a result of the detection;

5 means for obtaining channel estimation values by calculating a weighted sum of average values of the pilot symbols in the pilot blocks;

means for acquiring from the combined symbol sequence a data symbol sequence in accordance with
10 the result of the detection;

means for compensating for channel fluctuations of the data symbol sequence using the channel estimation values; and

means for controlling the weighting in response
15 to a rate of the channel fluctuations.

According to the invention as claimed in claim 2, in the CDMA receiver as claimed in claim 1, the means for controlling the weighting comprises:

means for compensating for, using the channel
20 estimation values, channel fluctuations of a pilot symbol sequence extracted from the combined symbol sequence;

means for generating an error signal from the compensated pilot symbol sequence and an ideal pilot
25 symbol sequence; and

means for carrying out the weighting control using the error signal and the average values of the pilot symbols included in the pilot blocks.

According to the invention as claimed in claim 5 3, in the CDMA receiver as claimed in claim 1, the means for controlling the weighting comprises:

means for generating an error signal from the compensated data symbol sequence and from result obtained by demodulating and deciding the 10 compensated data symbol sequence; and

means for carrying out the weighting control using the error signal and the average values of the pilot symbols included in the pilot blocks.

According to the invention as claimed in claim 15 4, in the CDMA receiver as claimed in claim 1, the means for controlling the weighting carries out the weighting control using as update values inner products of the channel estimation values of the data symbols and the average values of the pilot 20 symbols included in the pilot blocks.

According to the invention as claimed in claim 5, in the CDMA receiver as claimed in any one of claims 1-4, the CDMA receiver receives a signal including a combined symbol sequence having a frame 25 structure consisting of slots in which the pilot symbols consisting of a few symbols are inserted

into the data symbol sequence at every fixed interval.

According to the invention as claimed in claim 6, in the CDMA receiver as claimed in any one of 5 claims 1-5, the pilot blocks are formed from all the pilot symbols in a slot.

According to the invention as claimed in claim 7, in the CDMA receiver as claimed in any one of claims 1-6, when obtaining the channel estimation 10 value of a data symbol in an n -th slot of the combined symbol sequence, where n is an integer, the pilot blocks are generated from an $(n-K+1)$ -th slot to an $(n+K)$ -th slot of the combined symbol sequence, where K is a natural number.

15 According to the invention as claimed in claim 8, a CDMA receiver for receiving and demodulating a signal including a data symbol sequence and a pilot symbol sequence parallel to the data symbol sequence, comprises:

20 means for generating a plurality of pilot blocks from the pilot symbol sequence;

means for obtaining channel estimation values by calculating a weighted sum of average values of the pilot symbols in the pilot blocks;

means for compensating for channel fluctuations of the data symbol sequence using the channel estimation values; and

5 means for controlling the weighting in response to a rate of the channel fluctuations.

According to the invention as claimed in claim 9, in the CDMA receiver as claimed in claim 8, the means for controlling the weighting comprises:

10 means for compensating for, using the channel estimation values, channel fluctuations of the pilot symbol sequence;

means for generating an error signal from the compensated pilot symbol sequence and an ideal pilot symbol sequence; and

15 means for carrying out the weighting control using the error signal and the average values of the pilot symbols included in the pilot blocks.

20 According to the invention as claimed in claim 10, in the CDMA receiver as claimed in claim 8, the means for controlling the weighting comprises:

means for generating an error signal from the compensated data symbol sequence and from result obtained by demodulating and deciding the compensated data symbol sequence; and

means for carrying out the weighting control using the error signal and the average values of the pilot symbols included in the pilot blocks.

According to the invention as claimed in claim 5 11, in the CDMA receiver as claimed in claim 8, the means for controlling the weighting carries out the weighting control using as update values inner products of the channel estimation values of the data symbols and the average values of the pilot 10 symbols included in the pilot blocks.

According to the invention as claimed in claim 12, in the CDMA receiver as claimed in any one of claims 8-11, the CDMA receiver receives a signal including a data symbol sequence which is spread 15 using a first spreading code, and a pilot symbol sequence which is parallel to the data symbol sequence and spread using a second spreading code, the first spreading code and the second spreading code being orthogonal to each other.

20 According to the invention as claimed in claim 13, in the CDMA receiver as claimed in any one of claims 8-12, the CDMA receiver receives a signal including a spread data symbol sequence which is impressed on a first carrier, and a spread pilot 25 symbol sequence which is parallel to the data symbol sequence and is impressed on a second carrier, the

first carrier and the second carrier being orthogonal to each other.

According to the invention as claimed in claim 14, in the CDMA receiver as claimed in any one of claims 8-13, when obtaining the channel estimation value of an n -th data symbol in the data symbol sequence, where n is an integer, the plurality of pilot blocks are generated from an $(n-K+1)$ -th pilot symbol to an $(n+K)$ -th pilot symbol in the pilot symbol sequence, where K is a natural number.

According to the invention as claimed in claim 15, in the CDMA receiver as claimed in any one of claims 8-14, the plurality of pilot blocks have a same length.

According to the invention as claimed in claim 16, a CDMA transceiver includes a transmitting section for transmitting a signal including a combined symbol sequence that has a plurality of slots and includes data symbols and pilot symbols, and a receiving section for receiving and demodulating the signal, and the receiving section comprises:

means for detecting positions of the pilot symbols in the combined symbol sequence;

means for generating pilot blocks by extracting, in a plurality of slots, the pilot symbols from the

combined symbol sequence in response to a result of the detection;

means for obtaining channel estimation values by calculating a weighted sum of average values of the pilot symbols included in the pilot blocks;

means for acquiring from the combined symbol sequence a data symbol sequence in accordance with the result of the detection;

means for compensating for channel fluctuations of the data symbol sequence using the channel estimation values; and

means for controlling the weighting in response to a rate of the channel fluctuations.

According to the invention as claimed in claim 17, a CDMA transceiver includes a transmitting section for transmitting a signal including a data symbol sequence and a pilot symbol sequence parallel to the data symbol sequence, and a receiving section for receiving and demodulating the signal, and the receiving section comprises:

means for generating a plurality of pilot blocks from the pilot symbol sequence;

means for obtaining channel estimation values by calculating a weighted sum of average values of the pilot symbols in the pilot blocks;

means for compensating for channel fluctuations of the data symbol sequence using the channel estimation values; and

5 means for controlling the weighting in response to a rate of the channel fluctuations.

According to the invention as claimed in claim 18, a CDMA receiving method of receiving and demodulating a signal including a combined symbol sequence that has a plurality of slots and includes data symbols and pilot symbols, comprises the steps of:

detecting positions of the pilot symbols in the combined symbol sequence;

15 generating pilot blocks by extracting, in a plurality of slots, the pilot symbols from the combined symbol sequence in response to a result of the detection;

obtaining channel estimation values by calculating a weighted sum of average values of the pilot symbols in the pilot blocks;

20 acquiring from the combined symbol sequence a data symbol sequence in accordance with the result of the detection; and

25 compensating for channel fluctuations of the data symbol sequence using the channel estimation value,

wherein the weighting is controlled in response to a rate of the channel fluctuations.

According to the invention as claimed in claim 19, a CDMA receiving method of receiving and demodulating a signal including a data symbol sequence and a pilot symbol sequence parallel to the data symbol sequence, comprises the steps of:

generating a plurality of pilot blocks from the pilot symbol sequence;

obtaining channel estimation values by calculating a weighted sum of average values of the pilot symbols in the pilot blocks; and

compensating for channel fluctuations of the data symbol sequence using the channel estimation value,

wherein the weighting is controlled in response to a rate of the channel fluctuations.

BRIEF DESCRIPTION OF THE DRAWINGS

Fig. 1 is a block diagram showing a configuration of a CDMA receiver of a first embodiment in accordance with the present invention;

Fig. 2 is a diagram showing relationship between Figs. 2A and 2B;

Fig. 2A is a flowchart illustrating a receiving processing by the CDMA receiver of the first embodiment in accordance with the present invention;

Fig. 2B is a flowchart illustrating the
5 receiving processing by the CDMA receiver of the first embodiment in accordance with the present invention;

Fig. 3 is a diagram illustrating the operation principle of the channel estimation by the CDMA
10 receiver of the first embodiment in accordance with the present invention, taking an example of the channel estimation;

Fig. 4 is a flowchart illustrating a weighting control processing by the CDMA receiver of the first
15 embodiment in accordance with the present invention;

Fig. 5 is a block diagram showing a configuration of a CDMA transceiver of a second embodiment in accordance with the present invention;

Fig. 6 is a block diagram showing a
20 configuration of a transmission processor of the CDMA transceiver in the second embodiment in accordance with the present invention;

Fig. 7 is a flowchart illustrating a transmission processing by the transmission
25 processor of the CDMA transceiver in the second embodiment in accordance with the present invention;

Fig. 8 is a block diagram showing a configuration of the CDMA receiver of a third embodiment in accordance with the present invention;

Fig. 9 is a flowchart illustrating a weighting control processing by the CDMA receiver of the third embodiment in accordance with the present invention;

Fig. 10 is a block diagram showing a configuration of the CDMA receiver of a fourth embodiment in accordance with the present invention;

Fig. 11 is a flowchart illustrating a weighting control processing by the CDMA receiver of the fourth embodiment in accordance with the present invention;

Fig. 12 is a block diagram showing a configuration of the CDMA receiver of a fifth embodiment in accordance with the present invention;

Fig. 13 is a diagram showing relationship between Figs. 13A and 13B;

Fig. 13A is a flowchart illustrating a receiving processing by the CDMA receiver of the fifth embodiment in accordance with the present invention;

Fig. 13B is a flowchart illustrating the receiving processing by the CDMA receiver of the fifth embodiment in accordance with the present invention;

Fig. 14 is a diagram illustrating the operation principle of the channel estimation by the CDMA receiver of the fifth embodiment in accordance with the present invention, taking an example of channel
5 estimation;

Fig. 15 is a block diagram showing a configuration of a CDMA transceiver of a sixth embodiment in accordance with the present invention;

Fig. 16 is a block diagram showing a
10 configuration of a transmission processor of the CDMA transceiver in the sixth embodiment in accordance with the present invention;

Fig. 17 is a flowchart illustrating a transmission processing by the transmission
15 processor of the CDMA transceiver in the sixth embodiment in accordance with the present invention;

Fig. 18 is a block diagram showing a configuration of the CDMA receiver of a seventh embodiment in accordance with the present invention;

20 Fig. 19 is a block diagram showing a configuration of the CDMA receiver of an eighth embodiment in accordance with the present invention;

Fig. 20 is a diagram illustrating required error rate ($BER=10^{-3}$) characteristics for the product of a slot time (T_{slot}) and a maximum Doppler frequency (f_d) under a two-path Rayleigh model;

Fig. 21 is a diagram illustrating BER characteristics under a Vehicular-B environment when $f_d T_{slot} = 0.003125$ and $f_d T_{slot} = 0.28$;

Fig. 22 is a diagram showing required error rate (BER= 10^{-3}) characteristics for $f_d T_{slot}$ under a Vehicular-B environment; and

Fig. 23 is a diagram illustrating the operation principle of channel estimation in accordance with a related art.

10

BEST MODE FOR CARRYING OUT THE INVENTION

The best mode for carrying out the invention will now be described with reference to the accompanying drawings.

15 First to fourth embodiments in accordance with the present invention relates to a CDMA receiver or a CDMA transceiver based on the time multiplexed pilot channel method, and fifth to eighth
embodiments in accordance with the present invention
20 relates to a CDMA receiver or a CDMA transceiver based on the parallel pilot channel method.

[FIRST EMBODIMENT]

Fig. 1 is a block diagram showing a configuration of a CDMA receiver of a first
25 embodiment in accordance with the present invention. The CDMA receiver 100 of the present embodiment

receives and demodulates a signal including a combined symbol sequence that has a plurality of slots and includes data symbols and pilot symbols.

The CDMA receiver 100 comprises a receiving section 110, a matched filter 125, a slot synchronization detector 101, a pilot symbol sequence acquisition section 112, a pilot block generator 111, a channel estimation value acquisition section 121, a data symbol sequence acquisition section 129, a data symbol sequence compensator 130, a RAKE combiner 132, an error signal generator 142, and a weighting controller (MMSE) 144. Although in the present embodiment, the matched filter 125, slot synchronization detector 101 and the like are implemented by software using a DSP (Digital Signal Processor) (plus a memory for storing programs) 120 as shown in Fig. 1, they can be implemented by means of hardware, in which case delay circuits and other components are used as needed.

Figs. 2A and 2B are a flowchart illustrating a receiving processing by the CDMA receiver of the present embodiment. First, at step S201, the receiving section 110 receives a receiving signal, that is, a spread combined symbol sequence. At step S202, the matched filter 125 despreads the received

signal to generate a combined symbol sequence.
Subsequently, at steps S203-S208, the slot
synchronization detector 101, pilot symbol sequence
acquisition section 112, pilot block generator 111
5 and channel estimation value acquisition section 121
carry out the channel estimation processing, thereby
acquiring channel estimation values of the data
symbols and pilot symbols.

Fig. 3 is a diagram illustrating the operation
10 principle of the channel estimation by a channel
estimation unit of the present embodiment by way of
example of acquiring channel estimation values of an
m-th data symbol in n-th slot, where n and m are
integers. The combined symbol sequence in the
15 example as shown in Fig. 3 is subjected to the
transmission power control at every slot interval.
Each slot of the combined symbol sequence has a form
in which a fixed length pilot symbols are followed
by a fixed length data symbols. In other words, the
20 combined symbol sequence has a frame structure in
which a unit of a few pilot symbols is inserted into
the data symbol sequence at every fixed interval.

Alternatively, the length of the data symbols
and/or pilot symbols in each slot of the combined
25 symbol sequence may be one symbol length, or made
variable. Besides, there may be a slot consisting

of only the data symbols or pilot symbols. In addition, the arrangement of the data symbols and pilot symbols in each slot can be free.

Returning to Fig. 2A, the slot synchronization
5 detector 101 detects the position of the pilot symbols in the combined symbol sequence at step S203.

Subsequently, at step S204, the pilot symbol
sequence acquisition section 112 and pilot block
10 generator 111 extract the pilot symbols from a plurality of slots in the combined symbol sequence, and generates pilot blocks. Specifically, the pilot symbol sequence acquisition section 112 acquires the pilot symbols (sequence) from the plurality of slots
15 on the basis of the detection result at step S203, and the pilot block generator 111 generates pilot blocks from the pilot symbols acquired.

In the example as shown in Fig. 3, the pilot symbols are extracted from the combined symbol
20 sequence over a range from the $(n-K+1)$ -th slot to the $(n+K)$ -th slot, where K is a natural number and is set at three in Fig. 3, to generate pilot blocks. A pilot block is a set of the pilot symbols.

Although each pilot block is formed from all the
25 pilot symbols in a slot in the present embodiment, it can be formed from part of the pilot symbols in

the slot. It is also possible to form one pilot block from one pilot symbol. Besides, the number of pilot symbols in a pilot block can be made variable from slot to slot.

5 When obtaining the channel estimation values of the data symbols in the n-th slot, it is not essential to form the pilot blocks from nearly the same numbers of the slots before and after the n-th slots as in the example of Fig. 3. For example, the
10 pilot blocks can be generated only from the slots with the number smaller than (previous to) the n-th slot, considering the delay of the channel estimation.

 Through steps S205-S208, the channel estimation
15 value acquisition section 121 acquires the channel estimation values of the data symbols and pilot symbols. First, at step S205, it averages the pilot symbols $\hat{\xi}$ (estimated complex fading envelopes) contained in each pilot block, thereby obtaining a
20 pilot block average value $\bar{\xi}$. This step is carried out for all the pilot blocks (step S206). When a pilot block consists of only one pilot symbol, the pilot symbol $\hat{\xi}$ itself is adopted as the pilot block average value $\bar{\xi}$. In the example as shown in Fig. 3,
25 pilot block average values $\bar{\xi}(n+i)$ are obtained for

the pilot blocks in the (n+i)-th slots, where i varies from -K+1 to K (K=3).

At step S207, the channel estimation values $\tilde{\xi}_m$ of the data symbols and pilot symbols are obtained by taking a weighted sum of the pilot block average values $\bar{\xi}$ weighted by the weighting factors α , respectively. In the example of Fig. 3, the channel estimation value $\tilde{\xi}_m(n)$ is obtained for the m-th data symbol in the n-th slot with placing the weighting factors of the (n+i)-th pilot blocks at $\alpha_{m,i}$.

In the present embodiment, the channel estimation values are also obtained for the pilot symbols to carry out the weighting control. The channel estimation values are obtained in the same manner as those of the data symbols. Specifically, the channel estimation value $\tilde{\xi}_m(n)$ is obtained for the m-th pilot symbol in the n-th slot with placing the weighting factors of the (n+i)-th pilot block at $\alpha_{m,i}$.

The channel estimation value $\tilde{\xi}_m(n)$ is given by the following equation (1).

$$\tilde{\xi}_m(n) = \sum_{i=-K+1}^K \alpha_{m,i} \cdot \bar{\xi}(n+i) \quad (1)$$

The foregoing step S207 is repeated for all the data symbols and pilot symbols for which the channel estimation values are to be obtained (step S208).

It is also possible to use the same weighting
5 factors for all the data symbols and pilot symbols in one slot to obtain the channel estimation values.

At step S209 after obtaining the channel estimation values, the data symbol sequence acquisition section 129 obtains the data symbol
10 sequence from the combined symbol sequence on the basis of the detection result of the slot synchronization detector 101.

At step S210, the data symbol sequence compensator 130 compensates for the channel
15 fluctuations (fading phase fluctuations) of the data symbol sequence using the channel estimation values $\tilde{\xi}_m$ (of the data symbols) obtained through steps S203-S208. More specifically, it compensates for the channel fluctuations of the data symbols by
20 multiplying the data symbol sequence by the complex conjugates of the channel estimation values $\tilde{\xi}_m$.

At step S211, the RAKE combiner 132 carries out coherent combining of the compensated data symbol sequences fed from respective RAKE fingers.

Fig. 4 is a flowchart illustrating a weighting control processing by the CDMA receiver of the present embodiment. At step S401, the pilot symbol sequence compensator 146 compensates for the channel
5 fluctuations of the pilot symbol sequence using the channel estimation values $\tilde{\xi}_m$ (of the pilot symbols) obtained through steps S203-S208.

At step S402, the error signal generator 142 generates an error signal (identification error
10 information) from the compensated pilot symbol sequence and ideal pilot symbol sequence (which is free from the channel fluctuations). The ideal pilot symbol sequence is known, and is prepared in advance in the receiver 100.

At step S403, the weighting controller (MMSE)
15 144 controls the weighting (weighting factors $\alpha_{m,i}$), using the error signal and the pilot block average values (the channel estimation values obtained from individual pilot blocks) $\bar{\xi}$ as feedback information.

20 Thus adaptively optimizing the weighting values for the pilot symbols in response to the channel fluctuation rate makes it possible to improve the resistance to fading fluctuations, and to carry out the highly accurate channel estimation.

25

[SECOND EMBODIMENT]

Fig. 5 is a block diagram showing a configuration of a CDMA transceiver of a second embodiment in accordance with the present invention.

5 The CDMA transceiver 500 of the present embodiment transmits a signal including a combined symbol sequence that has a plurality of slots and includes data symbols and pilot symbols, and receives and demodulates such a signal.

10 The CDMA transceiver 500 comprises a transmitting processor 510 and a receiving processor 520. The configuration, receiving processing and weighting control processing of the receiving processor 520 are the same as the configuration
15 (Fig. 1), receiving processing (Figs. 2A and 2B) and weighting control processing (Fig. 4) of the CDMA receiver 100 of the first embodiment in accordance with the present invention.

Fig. 6 is a block diagram showing a
20 configuration of the transmitting processor of the CDMA transceiver in the second embodiment. As shown in Fig. 6, the transmitting processor 510 comprises a transmitting section 610, a channel encoder 622, a combiner 630 and a spreader 627. Although in the
25 present embodiment, the channel encoder 622, combiner 630 and the like are implemented by

software using a DSP (plus a memory for storing programs) 620 as shown in Fig. 6, they can be implemented by means of hardware.

Fig. 7 is a flowchart illustrating a
5 transmission processing by the transmitting
processor of the CDMA transceiver in the present
embodiment. First, at step S701, the channel
encoder 622 modulates (encodes) a data sequence,
thereby generating a data symbol sequence. At step
10 S702, the combiner 630 inserts pilot symbols into
each slot of the data symbol sequence, thereby
generating a combined symbol sequence. At step
S703, the spreader 627 spreads the combined symbol
sequence, thereby generating a transmitted signal
15 (spread combined symbol sequence). At step S704,
the transmitting section 610 transmits the
transmitted signal.

[THIRD EMBODIMENT]

20 Fig. 8 is a block diagram showing a CDMA
receiver of a third embodiment in accordance with
the present invention. The CDMA receiver 800 of the
present embodiment receives a signal including a
combined symbol sequence that has a plurality of
25 slots and contains data symbols and pilot symbols.

The CDMA receiver 800 comprises a receiving section 810, a matched filter 825, a slot synchronization detector 801, a pilot symbol sequence acquisition section 812, a pilot block generator 811, a channel estimation value acquisition section 821, a data symbol sequence acquisition section 829, a data symbol sequence compensator 830, a RAKE combiner 832, a data decision section 846, an error signal generator 842, and a weighting controller (MMSE) 844. Although in the present embodiment, the matched filter 825, slot synchronization detector 801 and the like are implemented by software using a DSP (plus a memory for storing programs) 820 as shown in Fig. 8, they can be implemented by means of hardware. The configurations and functions of the receiving section 810, matched filter 825 and the like are the same as those of their counterparts in the CDMA receiver 100 in the first embodiment in accordance with the present invention. In addition, the CDMA receiver 800 of the present embodiment carries out the same processing as the receiving processing (Figs. 2A and 2B) of the CDMA receiver 100 in the first embodiment in accordance with the present invention, except that it is unnecessary to obtain

the channel estimation values of the pilot symbols in the present embodiment.

Fig. 9 is a flowchart illustrating a weighting control processing by the CDMA receiver of the present embodiment. At step S901, the error signal generator 842 generates an error signal (identification error information) from the compensated data symbol sequence and from result obtained by demodulating and deciding the compensated data symbol sequence. The data decision is carried out by the data decision section 846 that makes a decision (0/1) of the output of the RAKE combiner 832.

At step S902, the weighting controller (MMSE) 844 carries out the control of weighting (weighting factors $\alpha_{m,i}$) using the error signal and the pilot block average values (the channel estimation values obtained from the individual pilot blocks) $\bar{\xi}$ as the feedback information.

Thus adaptively optimizing the weighting values for the pilot symbols in response to the channel fluctuation rate makes it possible to improve the resistance to fading fluctuations, and to carry out the highly accurate channel estimation.

Furthermore, since the weighting factors can be updated not at the pilot symbol intervals (slot intervals) but at the symbol intervals in the present embodiment, the convergence capability of the weighting factors can be improved.

Incidentally, a CDMA transceiver can be arranged by employing the CDMA receiver 800 of the third embodiment in accordance with the present invention as the receiving processor, and the transmitting processor 510 of the CDMA transceiver 500 of the second embodiment in accordance with the present invention as the transmitting processor.

[FOURTH EMBODIMENT]

Fig. 10 is a block diagram showing a CDMA receiver of a fourth embodiment in accordance with the present invention. The CDMA receiver 1000 of the present embodiment receives and demodulates a signal including a combined symbol sequence that has a plurality of slots and includes both data symbols and pilot symbols.

The CDMA receiver 1000 comprises a receiving section 1010, a matched filter 1025, a slot synchronization detector 1001, a pilot symbol sequence acquisition section 1012, a pilot block generator 1011, a channel estimation value

acquisition section 1021, a data symbol sequence acquisition section 1029, a data symbol sequence compensator 1030, a RAKE combiner 1032, and a weighting controller (inner product calculator) 1044. Although in the present embodiment, the matched filter 1025, slot synchronization detector 1001 and the like are implemented by software using a DSP (plus a memory for storing programs) 1020 as shown in Fig. 10, they can be implemented by means of hardware. The configurations and functions of the receiving section 1010, matched filter 1025 and the like are the same as those of their counterparts of the CDMA receiver 100 of the first embodiment in accordance with the present invention. Besides, the CDMA receiver 1000 of the present embodiment carries out the same processing as the receiving processing (Figs. 2A and 2B) of the CDMA receiver 100 of the first embodiment in accordance with the present invention, except that it is unnecessary for the CDMA receiver 1000 of the present embodiment to obtain the channel estimation values of the pilot symbols.

Fig. 11 is a flowchart illustrating a weighting control processing by the CDMA receiver of present embodiment. At step S1101, the weighting controller (inner calculation) 1044 carries out the control

(updating) of the weighting (weighting factors $\alpha_{m,i}$) as the following equation (2), using the inner products (correlation values) of the channel estimation values $\tilde{\xi}$ of the data symbols and the pilot block average values (channel estimation values obtained from the individual pilot blocks) $\hat{\xi}$ as the update values (feedback information).

$$\left. \begin{aligned}
 \mathbf{A}_m(n) &= \mathbf{A}_m(n-1) + \mu \tilde{\xi}_m(n) \hat{\mathbf{X}}(n) \\
 \mathbf{A}_m(n) &= \begin{pmatrix} \alpha_{m,-k+1}(n) \\ \alpha_{m,-k+2}(n) \\ \vdots \\ \alpha_{m,k-1}(n) \\ \alpha_{m,k}(n) \end{pmatrix}, \hat{\mathbf{X}}(n) = \begin{pmatrix} \hat{\xi}(n-k+1) \\ \hat{\xi}(n-k+2) \\ \vdots \\ \hat{\xi}(n+k-1) \\ \hat{\xi}(n+k) \end{pmatrix} \\
 \tilde{\xi}_m(n) &= \mathbf{A}_m^t(n-1) \cdot \hat{\mathbf{X}}(n)
 \end{aligned} \right\} (2)$$

10

where, $\mathbf{A}_m(n)$ is the weighting factor of the m-th data symbol in the n-th slot, μ is a step size of the updating, $\hat{\xi}(n+i)$ is the pilot block average value of the (n+i)-th slot, and $\tilde{\xi}_m(n)$ is the channel estimation value of the m-th data symbol in the n-th

15

slot. In addition, $\mathbf{A}_m^t(n)$ denotes the transpose of $\mathbf{A}_m(n)$.

Thus adaptively optimizing the weighting values for the pilot symbols in response to the channel fluctuation rate makes it possible to improve the
5 resistance to fading fluctuations, and to carry out the highly accurate channel estimation.

Furthermore, it is unnecessary for the present embodiment to demodulate the data or to generate the
10 error signal, which makes it possible to carry out the weighting control in response to the channel fluctuations with a simple configuration.

Incidentally, a CDMA transceiver can be configured by employing the CDMA receiver 1000 of
15 the fourth embodiment in accordance with the present invention as the receiving processor, and the transmitting processor 510 of the CDMA transceiver 500 of the second embodiment in accordance with the present invention as the transmitting processor.

20

[FIFTH EMBODIMENT]

Fig. 12 is a block diagram showing a configuration of the CDMA receiver of the fifth embodiment in accordance with the present invention.
25 The CDMA receiver 1200 of the present embodiment

receives and demodulates a signal including a data symbol sequence and a pilot symbol sequence parallel to the data symbol sequence.

The CDMA receiver 1200 comprises a receiving section 1210, a data symbol sequence matched filter 1224, a pilot symbol sequence matched filter 1226, a pilot block generator 1211, a channel estimation value acquisition section 1221, a data symbol sequence compensator 1230, a RAKE combiner 1232, an error signal generator 1242, and a weighting controller (MMSE) 1244.

Although in the present embodiment, the data symbol sequence matched filter 1224, pilot symbol sequence matched filter 1226 and the like are implemented by software using a DSP (plus a memory for storing programs) 1220 as shown in Fig. 12, they can also be implemented by means of hardware.

Figs. 13A and 13B are flowcharts illustrating a receiving processing by the CDMA receiver of the present embodiment. First, at step S1301, the receiving section 1210 receives a received signal, that is, a spread data symbol sequence and a spread pilot symbol sequence.

In the present embodiment, it is assumed that the data symbol sequence and the pilot symbol sequence are spread by a first spreading code and a

second spreading code, respectively, which are orthogonal to each other. However, it is also possible to receive such data symbol sequence and pilot symbol sequence that are spread by a first spreading code and a second spreading code that are not orthogonal to each other.

In addition, it is assumed in the present embodiment that the spread data symbol sequence and the spread pilot symbol sequence are impressed (transmitted) on a first carrier and a second carrier, respectively, which are orthogonal to each other. However, it is also possible to receive such data symbol sequence and pilot symbol sequence that are impressed on a first carrier and a second carrier that are not orthogonal to each other. As a typical example of the carriers that are orthogonal to each other, there are sine waves and cosine waves.

At step S1302, the data symbol sequence matched filter 1224 generates the data symbol sequence by despreading the received signal using the first spreading code. At step S1303, the pilot symbol sequence matched filter 1226 generates the pilot symbol sequence by despreading the received signal using the second spreading code. Subsequently, through steps S1304-S1308, the pilot block generator

1211 and channel estimation value acquisition section 1221 carry out the channel estimation, thereby obtaining the channel estimation values of the data symbols and pilot symbols.

5 Fig. 14 is a diagram illustrating the operation principle of the channel estimation by the channel estimation unit of the present embodiment, taking an example of obtaining the channel estimation value of the n-th data symbol, where n is an integer. In the
10 example as shown in Fig. 14, the power of the pilot symbol sequence is made less than that of the data symbol sequence to suppress the power loss. In addition, the data symbol sequence and pilot symbol sequence are subjected to the transmission power
15 control at every slot interval.

 Returning to Fig. 13A, the pilot block generator 1211 generates a plurality of pilot blocks from the pilot symbol sequence at step S1304. In the example as shown in Fig. 14, to generates L (three, in this
20 example) pilot blocks of λ bits before and after the n-th pilot symbol, pilot symbols from (n-K+1)-th to (n+K)-th pilot symbol are used, where K is a natural number equal to $L \times \lambda$.

 It is preferable that the pilot blocks be formed
25 from pilot symbols belonging to many different slots to use these pilot symbols for the channel

estimation. This is because although the pilot symbols belonging to different slots have different power, the effect of reduction in thermal noise and interfering signals by using pilot symbols in more slots is greater than the channel estimation error caused by the power difference, and this enables more highly accurate channel estimation. In the example as shown in Fig. 14, six pilot blocks are generated from pilot symbols belonging to seven different slots.

It is not necessary, when obtaining the channel estimation value of the n -th data symbol, to generate the same number of pilot blocks before and after the n -th pilot symbol as in the example of Fig. 3. Thus, the pilot block can also be generated only from the pilot symbols with the number less than (previous to) the n -th pilot symbol, considering the delay of the channel estimation.

The length of the pilot block can be determined regardless of the length of the slot. In addition, the length of the pilot block can be set equal to the length of the pilot symbol. In other words, the pilot block can consist of one pilot symbol.

Furthermore, the length of the pilot block may be variable for each pilot block.

Through steps S1305-S1307, the channel estimation value acquisition section 1221 obtains the channel estimation values of the data symbols and pilot symbols. First, at step S1305, it obtains the pilot block average value $\bar{\xi}$ by averaging the pilot symbols $\hat{\xi}$ (estimated complex fading envelopes) contained in the pilot block. It repeats the processing for all the pilot blocks (step S1306). If the pilot block consists of a single pilot symbol, that pilot symbol $\hat{\xi}$ itself becomes the pilot block average value $\bar{\xi}$. In the example of Fig. 14, the pilot block average values $\bar{\xi}(n_i)$ are obtained for respective i-th pilot blocks, where i varies from -L to L and $i \neq 0$.

At step S1307, the channel estimation value $\tilde{\xi}$ of the data symbol or pilot symbol is obtained by calculating the weighted sum of the pilot block average values $\bar{\xi}$. In the example of Fig. 14, the channel estimation value $\tilde{\xi}(n)$ of the n-th data symbol is obtained by setting the weighting factors of the i-th pilot blocks as α_i .

In addition, in the present embodiment, the channel estimation values are also obtained for the pilot symbols to carry out the weighting control. As the channel estimation value of the n-th pilot

symbol, the channel estimation value $\tilde{\xi}(n)$ of the n-th data symbol values can be used without any change.

The channel estimation value $\tilde{\xi}(n)$ is given by
5 the following equation (3).

$$\tilde{\xi}(n) = \sum_{i=-L, i \neq 0}^L \alpha_i \cdot \tilde{\xi}(n_i) \quad (3)$$

The foregoing steps S1304-S1307 are repeated for
10 all data symbols and pilot symbols with which the channel estimation values are to be obtained (step S1308).

After obtaining the channel estimation values, the data symbol sequence compensator 1230
15 compensates for the channel fluctuations of the data symbol sequence at step S1309 using the channel estimation values $\tilde{\xi}$ (of the data symbols). More specifically, it compensates for the channel fluctuations of the data symbols by multiplying the
20 data symbol sequence by the complex conjugates of the channel estimation values $\tilde{\xi}$.

At step S1310, the RAKE combiner 1232 carries out the coherent combining of the compensated data symbol sequences supplied from the RAKE fingers.

The CDMA receiver 1200 of the present embodiment carries out the same processing as the weighting control processing (Fig. 4) by the CDMA receiver 100 in the first embodiment in accordance with the
5 present invention. In other words, the pilot symbol sequence compensator 1246 compensates for the channel fluctuations of the pilot symbol sequence at step S401 using the channel estimation values $\tilde{\xi}$ (of the pilot symbols).

10 At step S402, the error signal generator 1242 generates an error signal (identification error information) from the compensated pilot symbol sequence and the ideal pilot symbol sequence (which is not affected by the channel fluctuations). The
15 ideal pilot symbol sequence is known, and is prepared in the receiver 1200 in advance.

At step S403, the weighting controller (MMSE) 1244 carries out the control of the weighting (weighting factors α_i) using the error signal and
20 the pilot block average values (channel estimation values obtained from the individual pilot blocks) $\overline{\xi}$ as the feedback information.

Thus adaptively optimizing the weighting values for the pilot symbols in response to the channel
25 fluctuation rate makes it possible to improve the

resistance to fading fluctuations, and to carry out the highly accurate channel estimation.

[SIXTH EMBODIMENT]

5 Fig. 15 is a block diagram showing a configuration of the CDMA transceiver of a sixth embodiment in accordance with the present invention. The CDMA transceiver 1500 of the present embodiment transmits a signal including a data symbol sequence
10 and a pilot symbol sequence parallel to the data symbol sequence, and receives and demodulates such a signal.

 The CDMA transceiver 1500 comprises a transmitting processor 1510 and a receiving
15 processor 1520. The configuration of the receiving processor 1520 and its receiving processing and weighting control processing are the same as the configuration (see, Fig. 12), the receiving
processing (see, Figs. 13A and 13B) and weighting
20 control processing (see, Fig. 4) of the CDMA receiver 1200 of the fifth embodiment in accordance with the present invention.

 Fig. 16 is a block diagram showing a configuration of the transmitting processor of the
25 CDMA transceiver of the present embodiment. As shown in Fig. 16, the transmitting processor 1510

comprises a transmitting section 1610, a channel encoder 1622, a data symbol sequence spreader 1626, a pilot symbol sequence spreader 1628, and a combiner 1630. Although in the present embodiment, 5 the channel encoder 1622, data symbol sequence spreader 1626 and the like are implemented by software using a DSP (plus a memory for storing programs) 1620, they can be implemented by means of hardware.

10 Fig. 17 is a flowchart illustrating a transmission processing by the transmitting processor of the CDMA transceiver of the present embodiment. First, at step S1701, the channel encoder 1622 generates a data symbol sequence by 15 modulating (encoding) a data sequence. At step S1702, the data symbol sequence spreader 1626 generates a spread data symbol sequence by spreading the data symbol sequence using a first spreading code. At step S1703, the pilot symbol sequence 20 spreader 1628 generates a spread pilot symbol sequence by spreading the pilot symbol sequence using a second spreading code. At step S1704, the combiner 1630 combines the spread data symbol sequence and the spread pilot symbol sequence, 25 thereby generating a transmitted signal. At step

S1705, the transmitting section 1610 transmits the transmitted signal.

The present embodiment employs the first spreading code and second spreading code which are
5 orthogonal to each other. However, the first and second spreading codes can be used which are not orthogonal to each other.

In addition, the present embodiment combines a first carrier and a second carrier which are
10 orthogonal to each other after impressing the spread data symbol sequence and the spread pilot symbol sequence on the carries, and transmits the combined carrier. However, first and second carriers which are not orthogonal to each other can be combined
15 after impressing the spread data symbol sequence and spread pilot symbol sequence thereon, so as to be transmitted as the combined carrier.

[SEVENTH EMBODIMENT]

20 Fig. 18 is a block diagram showing a configuration of the CDMA receiver of a seventh embodiment in accordance with the present invention. The CDMA receiver 1800 of the present embodiment receives and demodulates a signal including a data
25 symbol sequence and a pilot symbol sequence parallel to the data symbol sequence.

The CDMA receiver 1800 comprises a receiving section 1810, a data symbol sequence matched filter 1824, a pilot symbol sequence matched filter 1826, a pilot block generator 1811, a channel estimation value acquisition section 1821, a data symbol sequence compensator 1830, a RAKE combiner 1832, a data decision section 1846, an error signal generator 1842, and a weighting controller (MMSE) 1844. Although in the present embodiment, the data symbol sequence matched filter 1824, pilot symbol sequence matched filter 1826 and the like are implemented by software using a DSP (plus a memory for storing programs) 1820 as shown in Fig. 18, they can also be implemented by means of hardware. The receiving section 1810, data symbol sequence matched filter 1824 and the like have the same configurations and functions as those of their counterparts of the CDMA receiver 1200 of the fifth embodiment in accordance with the present invention. In addition, the CDMA receiver 1800 of the present embodiment carries out the same processing as the receiving processing of the CDMA receiver 1200 (see, Fig. 13A and 13B) of the fifth embodiment in accordance with the present invention, except that it is unnecessary for the present embodiment to

obtain the channel estimation values of the pilot symbols.

Furthermore, the CDMA receiver 1800 of the present embodiment carries out the same processing
5 as the weighting control processing of the CDMA receiver 800 (see, Fig. 9) of the third embodiment in accordance with the present invention. Specifically, at step S901, the error signal generator 1842 generates an error signal
10 (identification error information) from the compensated data symbol sequence and from the result obtained by demodulating and deciding the compensated data symbol sequence. The data decision is carried out by the data decision section 1846
15 that makes a decision (0/1) of the output of the RAKE combiner 1832.

At step S902, the weighting controller (MMSE) 1844 carries out the control of the weighting (weighting factors α_i) using the error signal and
20 pilot block average values (channel estimation values obtained from the individual pilot blocks) $\hat{\xi}$ as the feedback information.

Thus adaptively optimizing the weighting values
25 for the pilot symbols in response to the channel

fluctuation rate makes it possible to improve the resistance to fading fluctuations, and to carry out the highly accurate channel estimation.

Incidentally, a CDMA transceiver can be arranged
5 by employing the CDMA receiver 1800 of the seventh embodiment in accordance with the present invention as the receiving processor, and the transmitting processor 1510 of the CDMA transceiver 1500 of the sixth embodiment in accordance with the present
10 invention as the transmitting processor.

[EIGHTH EMBODIMENT]

Fig. 19 is a block diagram showing a configuration of a CDMA receiver of an eighth
15 embodiment in accordance with the present invention. The CDMA receiver 1900 of the present embodiment receives and demodulates a data symbol sequence and a pilot symbol sequence parallel to the data symbol sequence.

20 The CDMA receiver 1900 comprises a receiving section 1910, a data symbol sequence matched filter 1924, a pilot symbol sequence matched filter 1926, a pilot block generator 1911, a channel estimation value acquisition section 1921, a data symbol
25 sequence compensator 1930, a RAKE combiner 1932, and a weighting controller (inner product calculation)

1944. Although in the present embodiment, the data symbol sequence matched filter 1924, pilot symbol sequence matched filter 1926 and the like are implemented by software using a DSP (plus a memory for storing programs) 1920 as shown in Fig. 19, they can be implemented by means of hardware. The receiving section 1910, data symbol sequence matched filter 1924 and the like have the same configurations and functions as their counterparts of the CDMA receiver 1200 of the fifth embodiment in accordance with the present invention. Besides, the CDMA receiver 1900 of the present embodiment carries out the same receiving processing as the CDMA receiver 1200 (see, Figs. 13A and 13B) of the fifth embodiment in accordance with the present invention, except that it is unnecessary for the present embodiment to obtain the channel estimation values of the pilot symbols.

Furthermore, the CDMA receiver 1900 of the present embodiment carries out the same weighting control processing as the CDMA receiver 1000 (see, Fig. 11) of the fourth embodiment in accordance with the present invention. Specifically, at step S1101, the weighting controller (inner product calculation) 1944 carries out the control (updating) of the weighting (weighting factors α_i) using the inner

products (correlation values) of the channel estimation values $\tilde{\xi}$ of the data symbols values and the pilot block average values (channel estimation values obtained from individual pilot blocks) $\bar{\xi}$ as the updating values (feedback information) as expressed by the following equation (4).

$$\begin{aligned}
 \mathbf{A}(n) &= \mathbf{A}(n-1) + \mu \tilde{\xi}(n) \bar{\mathbf{X}}(n) \\
 \mathbf{A}(n) &= \begin{pmatrix} \alpha_{-L}(n) \\ \vdots \\ \alpha_{-1}(n) \\ \alpha_1(n) \\ \vdots \\ \alpha_L(n) \end{pmatrix}, \quad \bar{\mathbf{X}}(n) = \begin{pmatrix} \bar{\xi}(n_{-L}) \\ \vdots \\ \bar{\xi}(n_{-1}) \\ \bar{\xi}(n_1) \\ \vdots \\ \bar{\xi}(n_L) \end{pmatrix} \quad (4) \\
 \tilde{\xi}(n) &= \mathbf{A}^t(n-1) \cdot \bar{\mathbf{X}}(n)
 \end{aligned}$$

10 where, $\mathbf{A}(n)$ is the weighting factor of the n -th data symbol, μ is a step size of the updating, $\bar{\xi}(n_i)$ is the pilot block average value of the i -th pilot block, and $\tilde{\xi}(n)$ is the channel estimation value of

the n-th data symbol. In addition, $A^t(n)$ denotes the transpose of $A(n)$.

Thus adaptively optimizing the weighting values for the pilot symbols in response to the channel fluctuation rate makes it possible to improve the resistance to fading fluctuations, and to carry out the highly accurate channel estimation.

Furthermore, it is unnecessary for the present embodiment to demodulate the data or to generate the error signal, which makes it possible to carry out the weighting control in response to the channel fluctuations with a simple configuration.

Incidentally, a CDMA transceiver can be configured by employing the CDMA receiver 1900 of the eighth embodiment in accordance with the present invention as the receiving processor, and the transmitting processor 1510 of the CDMA transceiver 1500 of the sixth embodiment in accordance with the present invention as the transmitting processor.

[SUPPLEMENTS]

Fig. 20 is a diagram illustrating characteristics of a required error rate ($BER=10^{-3}$) versus the product of a maximum Doppler frequency (f_d) and a slot time (T_{slot}) under a two-path

Rayleigh model. Fig. 20 illustrates characteristics (TM_P) associated with the CDMA receiver of the fourth embodiment in accordance with the present invention (time multiplexed pilot channel method),
5 characteristics (Para_P) associated with the CDMA receiver of the eighth embodiment in accordance with the present invention (parallel pilot channel method), characteristics (TM_C) associated with the conventional CDMA receiver with the fixed weighting factors (time multiplexed pilot channel method), and
10 characteristics (Para_C) associated with the conventional CDMA receiver with the fixed weighting factors (parallel pilot channel method).

Fig. 21 is a diagram illustrating BER
15 characteristics under a Vehicular-B environment when $f_d T_{slot} = 0.003125$ and $f_d T_{slot} = 0.28$, and Fig. 22 is a diagram illustrating characteristics of a required error rate ($BER = 10^{-3}$) versus $f_d T_{slot}$ under the Vehicular-B environment.

20 It is found from Figs. 20 and 22 that both the CDMA receivers of the fourth and eighth embodiments in accordance with the present invention have an improvement of about 0.2 dB under the two-path Rayleigh model and of about 0.4 dB under the
25 Vehicular-B environment in a low rate fading as compared with the conventional CDMA receiver, and

that the improvement increases with the fading rate in a high rate fading. Here, the improvement under the Vehicular-B environment is greater than that under the two-path Rayleigh model low rate fading because the present invention has a greater improvement when it can use more pilot symbols as in the Vehicular-B environment in which the effect of noise is greater during the low fading.

Furthermore, it is thought that the time multiplexed pilot channel method (the CDMA receiver of the fourth embodiment in accordance with the present invention) and the parallel pilot channel method (the CDMA receiver of the eighth embodiment in accordance with the present invention) have little difference over the entire range from the low rate to high rate fading. This is because in the low rate, the energy used for the estimation is equal, and the fading fluctuations are small, and because in the high rate, the effect characteristic of the time multiplexed pilot channel method that the signal energy is obtained in a short time is nearly comparable to the improvement of the parallel pilot channel method in the traceability to the high rating fading owing to a reduction in the number of synchronization additions of the parallel pilot

channel method as compared with the time multiplexed pilot channel method.

As described above, the present invention can improve the resistance to fading fluctuations and
5 carry out the highly accurate channel estimation by adaptively optimizing the weighting values for the pilot symbols in response to the rate of channel fluctuations.

Achieving the highly accurate channel estimation
10 and the compensation for the channel fluctuations of the data symbols based on the estimation makes it possible to implement the absolute phase decision for each data symbol using the coherent detection even under the Rayleigh fading environment, for
15 example, and hence to reduce the SNIR required for obtaining a required reception quality (received error rate). This can reduce the transmission power and increase the capacity of the system in terms of the number of users.

WHAT IS CLAIMED IS:

1. A CDMA receiver for receiving and demodulating a signal including a combined symbol sequence that has a plurality of slots and includes data symbols and pilot symbols, said CDMA receiver comprising:
- means for detecting positions of the pilot symbols in the combined symbol sequence;
 - means for generating pilot blocks by extracting in a plurality of slots the pilot symbols from the combined symbol sequence in response to a result of the detection;
 - means for obtaining channel estimation values by calculating a weighted sum of average values of the pilot symbols in the pilot blocks;
 - means for acquiring from the combined symbol sequence a data symbol sequence in accordance with the result of the detection;
 - means for compensating for channel fluctuations of the data symbol sequence using the channel estimation values; and
 - means for controlling the weighting in response to a rate of the channel fluctuations.
2. The CDMA receiver as claimed in claim 1, wherein said means for controlling the weighting comprises:

means for compensating for, using the channel estimation values, channel fluctuations of a pilot symbol sequence extracted from the combined symbol sequence;

5 means for generating an error signal from the compensated pilot symbol sequence and an ideal pilot symbol sequence; and

means for carrying out the weighting control using the error signal and the average values of the
10 pilot symbols included in the pilot blocks.

3. The CDMA receiver as claimed in claim 1, wherein said means for controlling the weighting comprises:

means for generating an error signal from the
15 compensated data symbol sequence and from result obtained by demodulating and deciding the compensated data symbol sequence; and

means for carrying out the weighting control using the error signal and the average values of the
20 pilot symbols included in the pilot blocks.

4. The CDMA receiver as claimed in claim 1, wherein said means for controlling the weighting carries out the weighting control using as update values inner
25 products of the channel estimation values of the

data symbols and the average values of the pilot symbols included in the pilot blocks.

5. The CDMA receiver as claimed in any one of
5 claims 1-4, wherein said CDMA receiver receives a signal including a combined symbol sequence having a frame structure consisting of slots in which the pilot symbols consisting of a few symbols are inserted into the data symbol sequence at every
10 fixed interval.

6. The CDMA receiver as claimed in any one of
claims 1-5, wherein the pilot blocks are formed from all the pilot symbols in a slot.
15

7. The CDMA receiver as claimed in any one of
claims 1-6, wherein when obtaining the channel estimation value of a data symbol in an n -th slot of the combined symbol sequence, where n is an integer,
20 the pilot blocks are generated from an $(n-K+1)$ -th slot to an $(n+K)$ -th slot of the combined symbol sequence, where K is a natural number.

8. A CDMA receiver for receiving and demodulating a
25 signal including a data symbol sequence and a pilot

symbol sequence parallel to the data symbol sequence, said CDMA receiver comprising:

means for generating a plurality of pilot blocks from the pilot symbol sequence;

5 means for obtaining channel estimation values by calculating a weighted sum of average values of the pilot symbols in the pilot blocks;

means for compensating for channel fluctuations of the data symbol sequence using the channel estimation values; and

10 means for controlling the weighting in response to a rate of the channel fluctuations.

9. The CDMA receiver as claimed in claim 8, wherein said means for controlling the weighting comprises:

15 means for compensating for, using the channel estimation values, channel fluctuations of the pilot symbol sequence;

20 means for generating an error signal from the compensated pilot symbol sequence and an ideal pilot symbol sequence; and

means for carrying out the weighting control using the error signal and the average values of the pilot symbols included in the pilot blocks.

25

10. The CDMA receiver as claimed in claim 8,
wherein said means for controlling the weighting
comprises:

means for generating an error signal from the
5 compensated data symbol sequence and from result
obtained by demodulating and deciding the
compensated data symbol sequence; and

means for carrying out the weighting control
using the error signal and the average values of the
10 pilot symbols included in the pilot blocks.

11. The CDMA receiver as claimed in claim 8,
wherein said means for controlling the weighting
carries out the weighting control using as update
15 values inner products of the channel estimation
values of the data symbols and the average values of
the pilot symbols included in the pilot blocks.

12. The CDMA receiver as claimed in any one of
20 claims 8-11, wherein said CDMA receiver receives a
signal including a data symbol sequence which is
spread using a first spreading code, and a pilot
symbol sequence which is parallel to the data symbol
sequence and spread using a second spreading code,
25 the first spreading code and the second spreading
code being orthogonal to each other.

13. The CDMA receiver as claimed in any one of claims 8-12, wherein said CDMA receiver receives a signal including a spread data symbol sequence which is impressed on a first carrier, and a spread pilot symbol sequence which is parallel to the data symbol sequence and is impressed on a second carrier, the first carrier and the second carrier being orthogonal to each other.

10

14. The CDMA receiver as claimed in any one of claims 8-13, wherein when obtaining the channel estimation value of an n -th data symbol in the data symbol sequence, where n is an integer, the plurality of pilot blocks are generated from an $(n-K+1)$ -th pilot symbol to an $(n+K)$ -th pilot symbol in the pilot symbol sequence, where K is a natural number.

15. The CDMA receiver as claimed in any one of claims 8-14, wherein the plurality of pilot blocks have a same length.

16. A CDMA transceiver including a transmitting section for transmitting a signal including a combined symbol sequence that has a plurality of

slots and includes data symbols and pilot symbols, and a receiving section for receiving and demodulating the signal, said receiving section comprising:

5 means for detecting positions of the pilot symbols in the combined symbol sequence;

 means for generating pilot blocks by extracting, in a plurality of slots, the pilot symbols from the combined symbol sequence in response to a result of
10 the detection;

 means for obtaining channel estimation values by calculating a weighted sum of average values of the pilot symbols included in the pilot blocks;

 means for acquiring from the combined symbol
15 sequence a data symbol sequence in accordance with the result of the detection;

 means for compensating for channel fluctuations of the data symbol sequence using the channel estimation values; and

20 means for controlling the weighting in response to a rate of the channel fluctuations.

17. A CDMA transceiver including a transmitting section for transmitting a signal including a data
25 symbol sequence and a pilot symbol sequence parallel to the data symbol sequence, and a receiving section

for receiving and demodulating the signal, said receiving section comprising:

means for generating a plurality of pilot blocks from the pilot symbol sequence;

5 means for obtaining channel estimation values by calculating a weighted sum of average values of the pilot symbols in the pilot blocks;

means for compensating for channel fluctuations of the data symbol sequence using the channel estimation values; and

10 means for controlling the weighting in response to a rate of the channel fluctuations.

18. A CDMA receiving method of receiving and demodulating a signal including a combined symbol sequence that has a plurality of slots and includes data symbols and pilot symbols, said CDMA receiving method comprising the steps of:

20 detecting positions of the pilot symbols in the combined symbol sequence;

generating pilot blocks by extracting, in a plurality of slots, the pilot symbols from the combined symbol sequence in response to a result of the detection;

obtaining channel estimation values by
calculating a weighted sum of average values of the
pilot symbols in the pilot blocks;

acquiring from the combined symbol sequence a
5 data symbol sequence in accordance with the result
of the detection; and

compensating for channel fluctuations of the
data symbol sequence using the channel estimation
value,

10 wherein the weighting is controlled in response
to a rate of the channel fluctuations.

19. A CDMA receiving method of receiving and
demodulating a signal including a data symbol
15 sequence and a pilot symbol sequence parallel to the
data symbol sequence, said CDMA receiving method
comprising the steps of:

generating a plurality of pilot blocks from the
pilot symbol sequence;

20 obtaining channel estimation values by
calculating a weighted sum of average values of the
pilot symbols in the pilot blocks; and

compensating for channel fluctuations of the
data symbol sequence using the channel estimation
25 value,

wherein the weighting is controlled in response to a rate of the channel fluctuations.

ABSTRACT OF THE DISCLOSURE

A CDMA receiver and a CDMA transceiver are provided which have high resistance to fading
5 fluctuations, and carry out highly accurate channel estimation, considering the rate of channel fluctuations. When carrying out the channel estimation by calculating weighted sums of the
10 (average values of) pilot symbols interposed into a data symbol sequence, the weighting control is performed considering the rate of the channel fluctuations. For example, the weighting control is carried out using, as its update values, inner products of the channel estimation values and the
15 (average values of) pilot symbols. This makes it possible to achieve the highly accurate channel estimation.

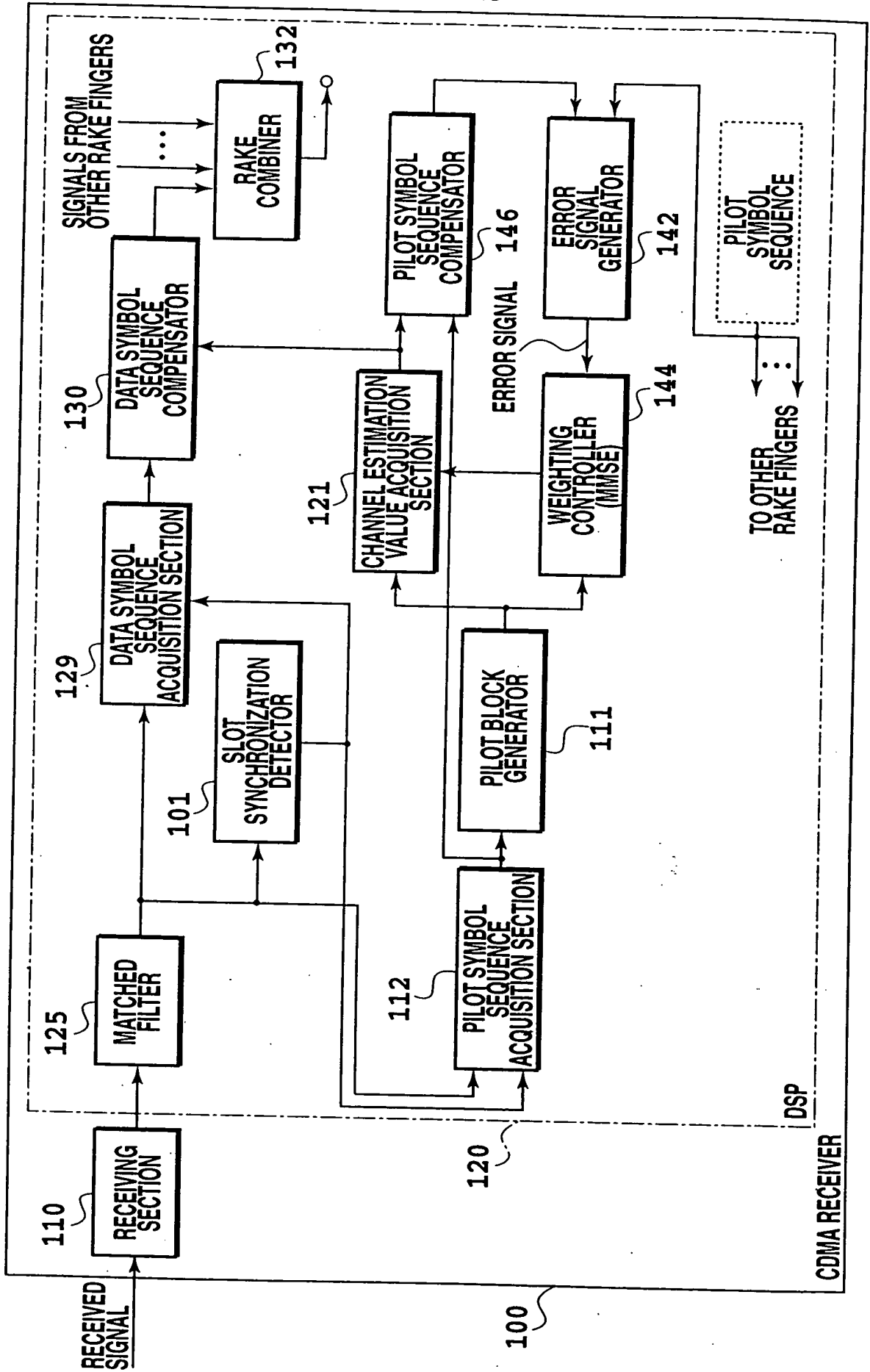


FIG.1

FIG.2

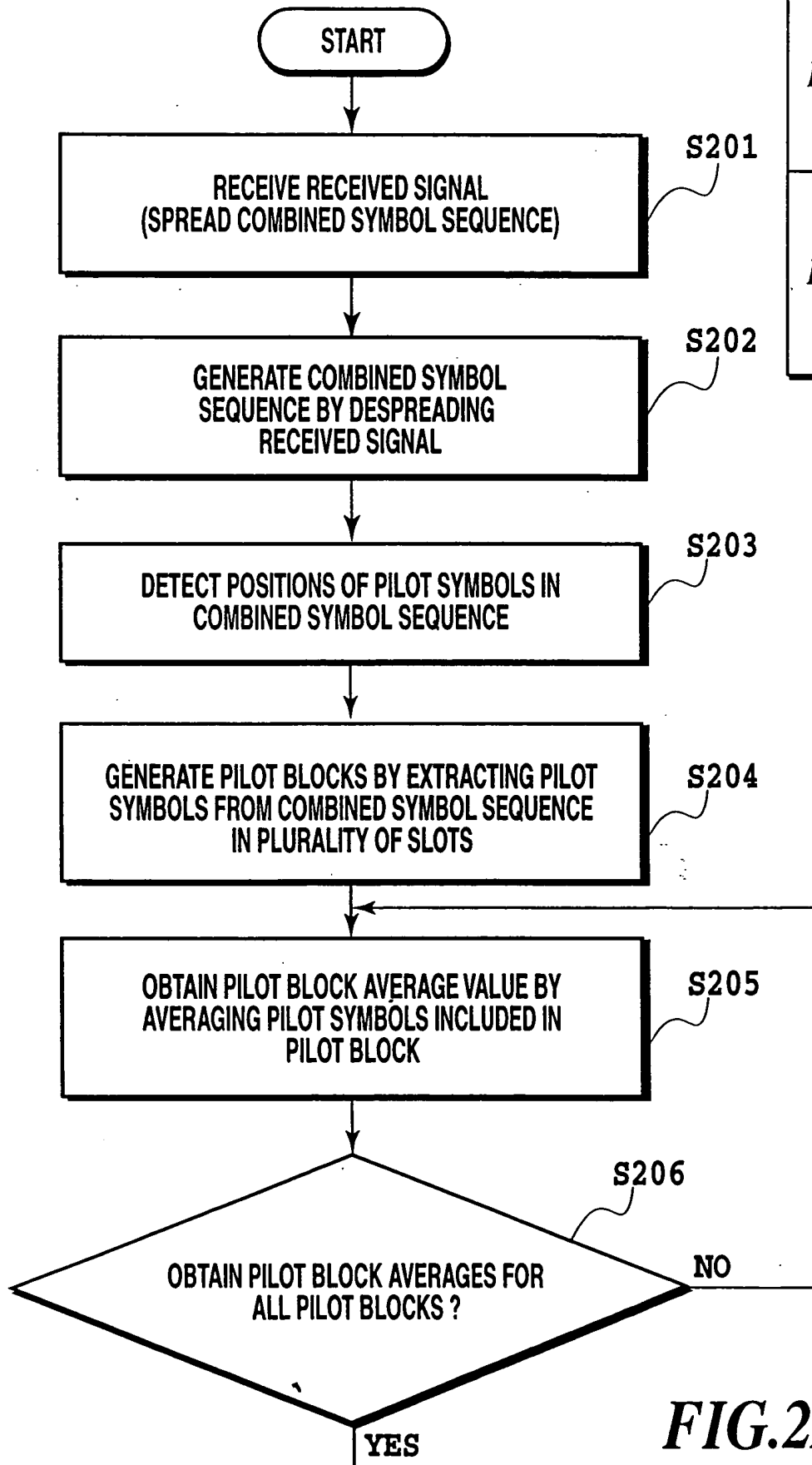


FIG.2A

FIG.2B

FIG.2A

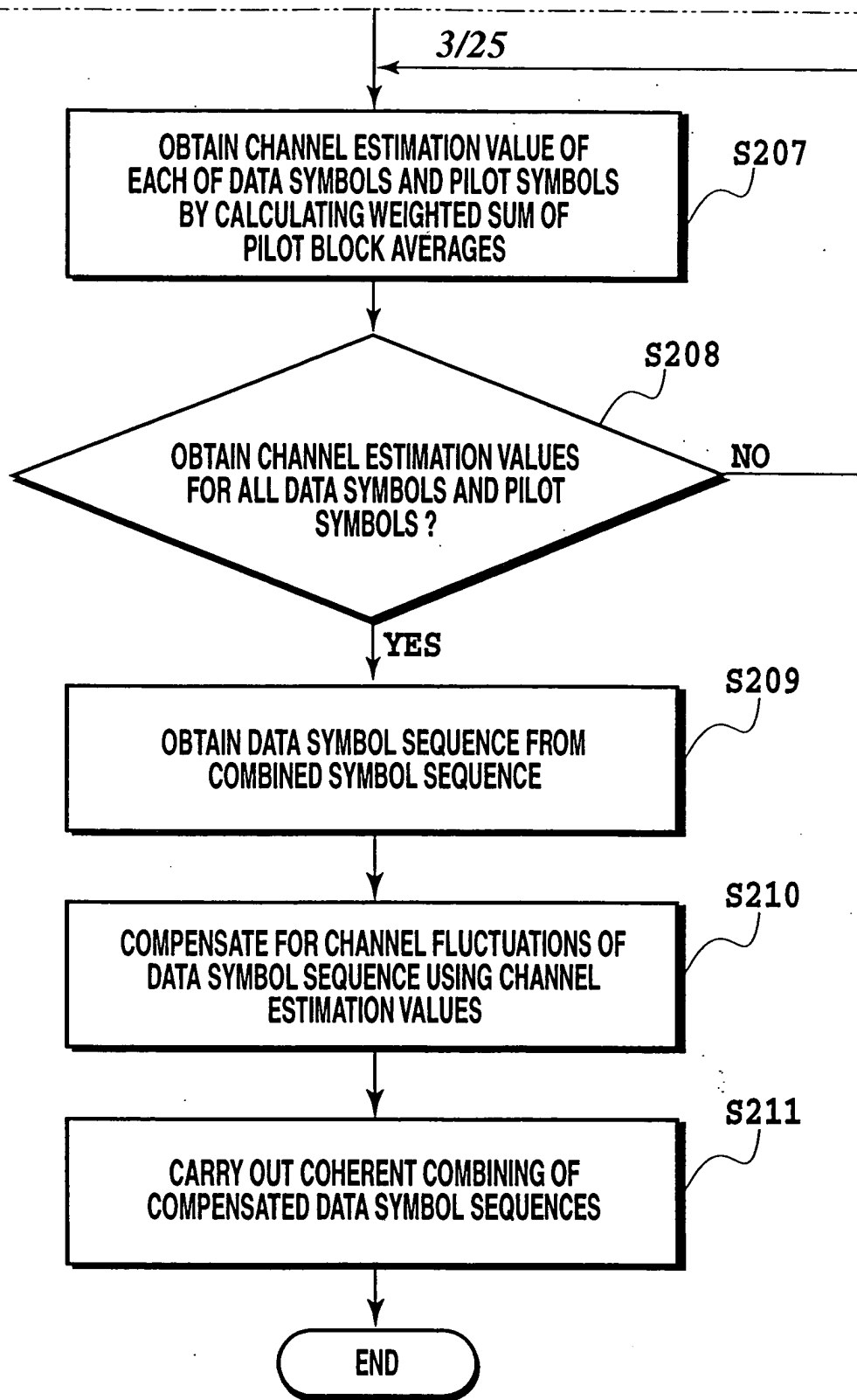


FIG.2B

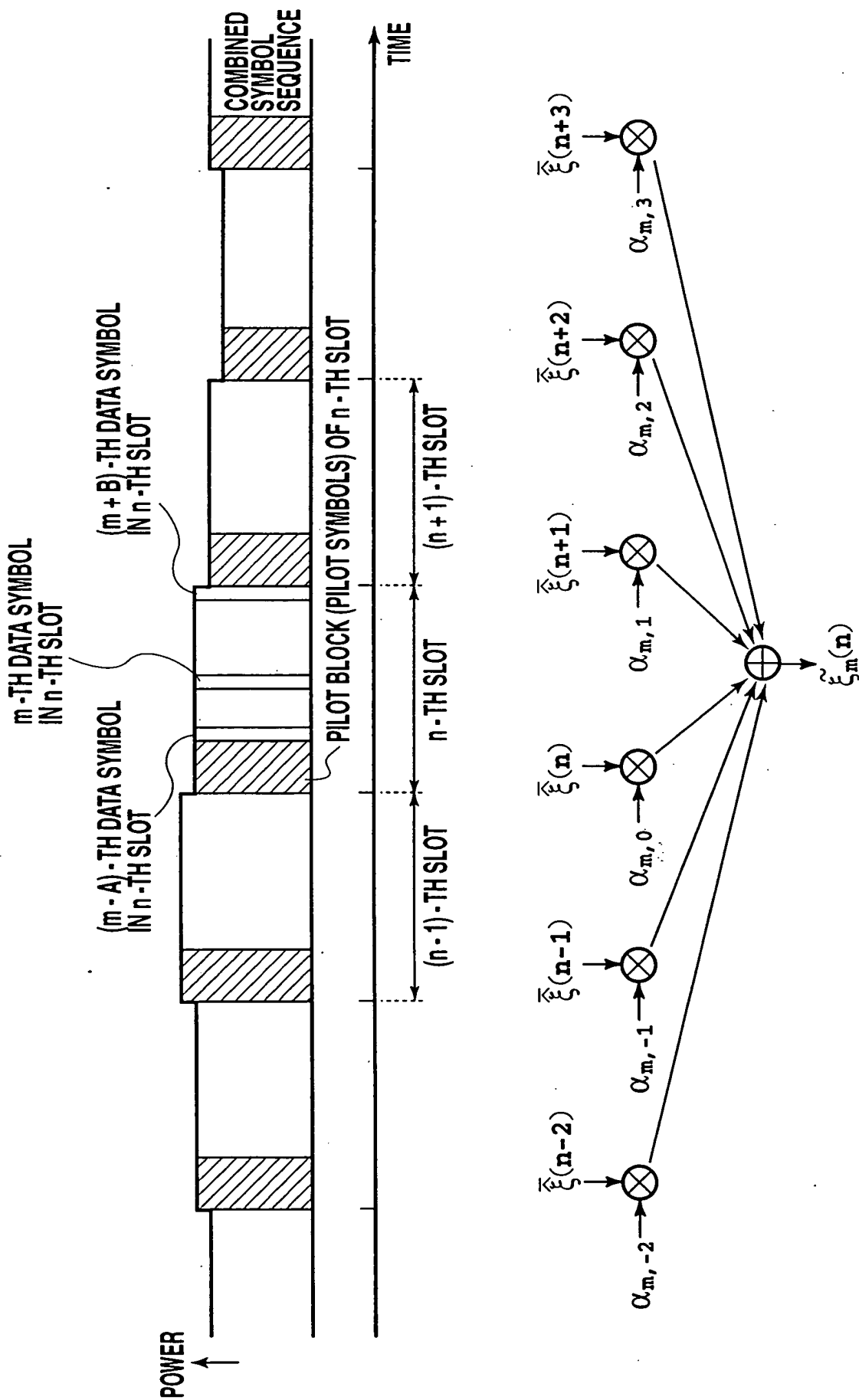


FIG.3

CHANNEL ESTIMATION VALUE OF m -TH DATA SYMBOL OF n -TH SLOT

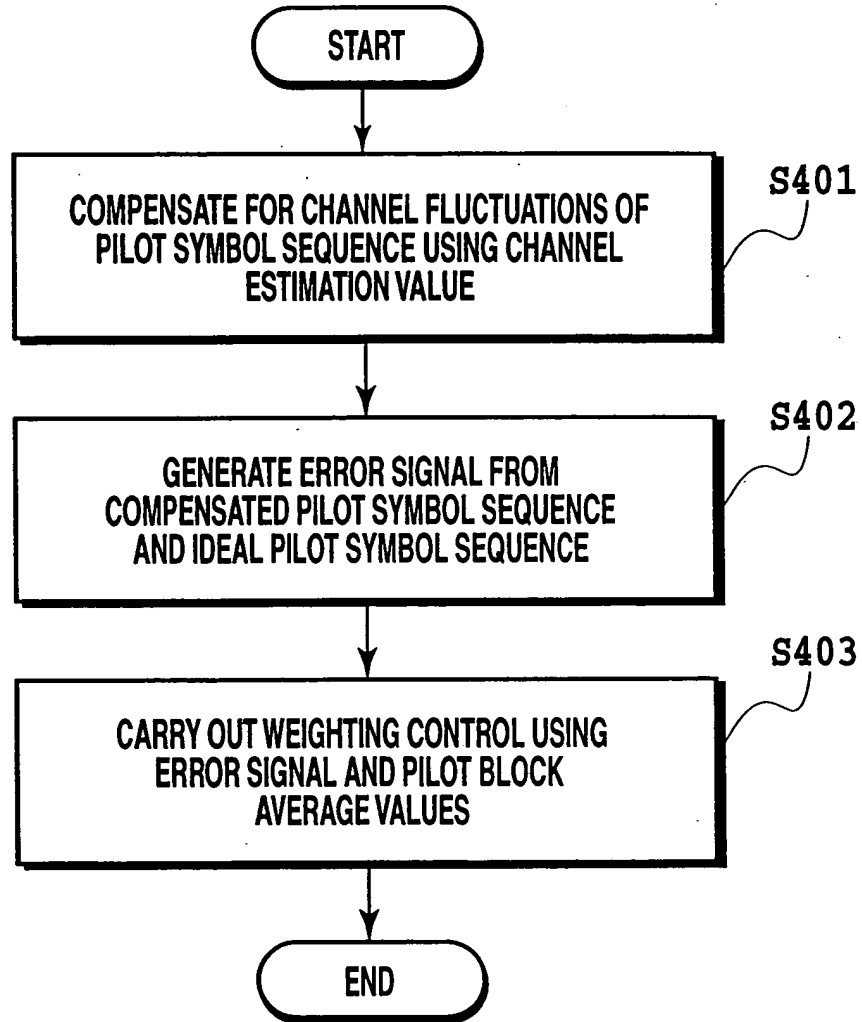


FIG.4

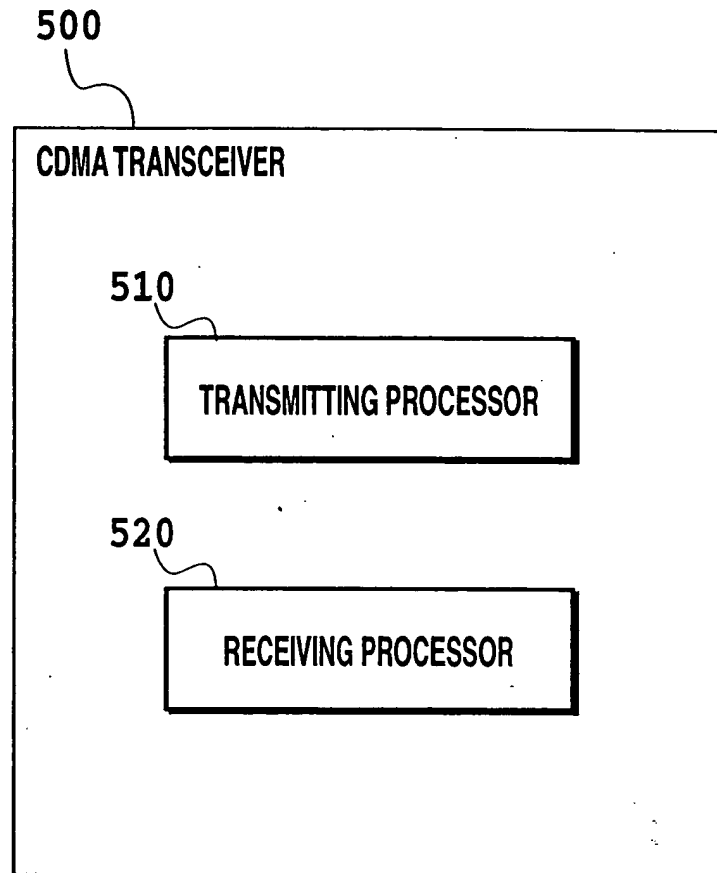


FIG.5

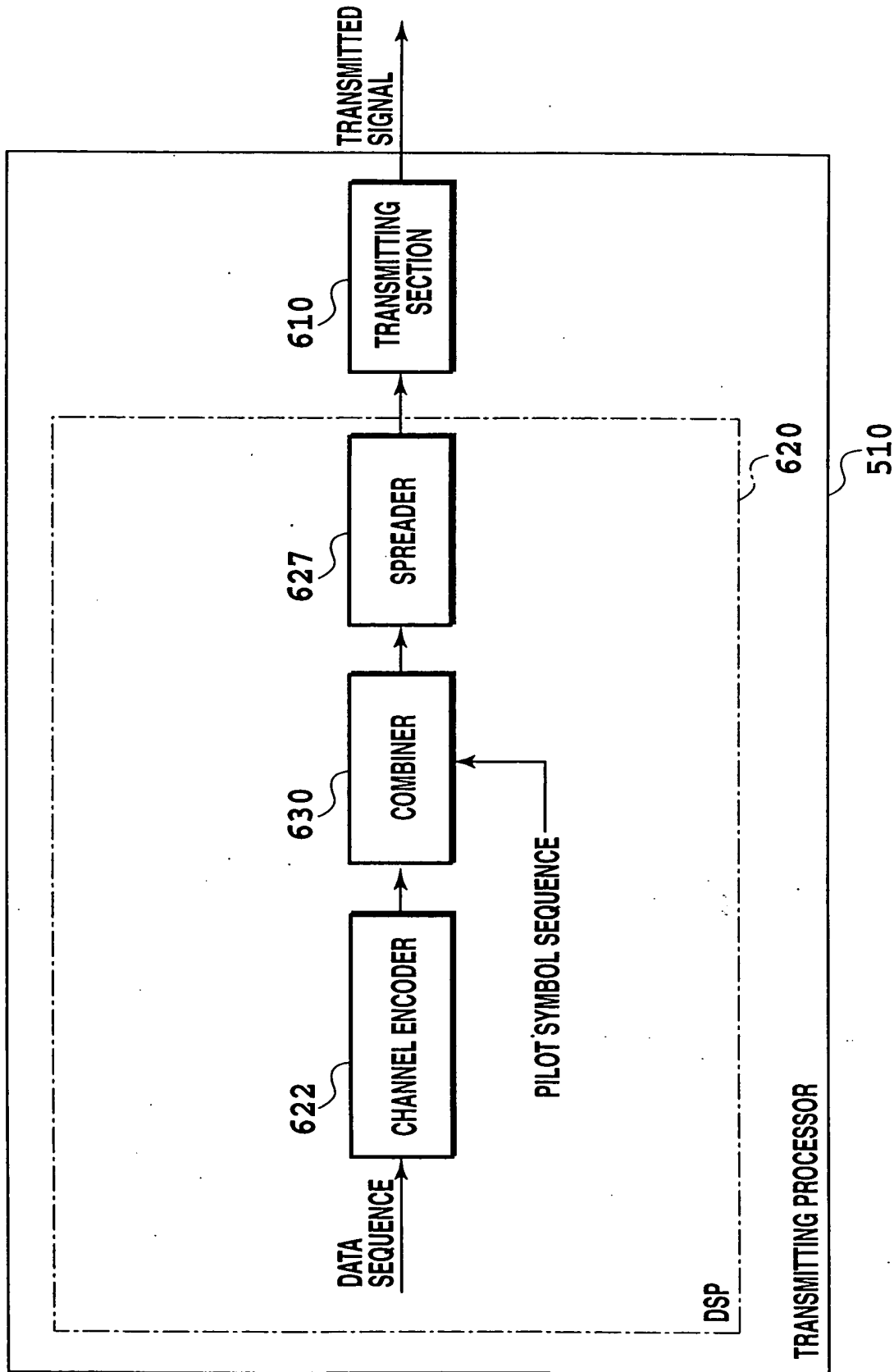


FIG.6

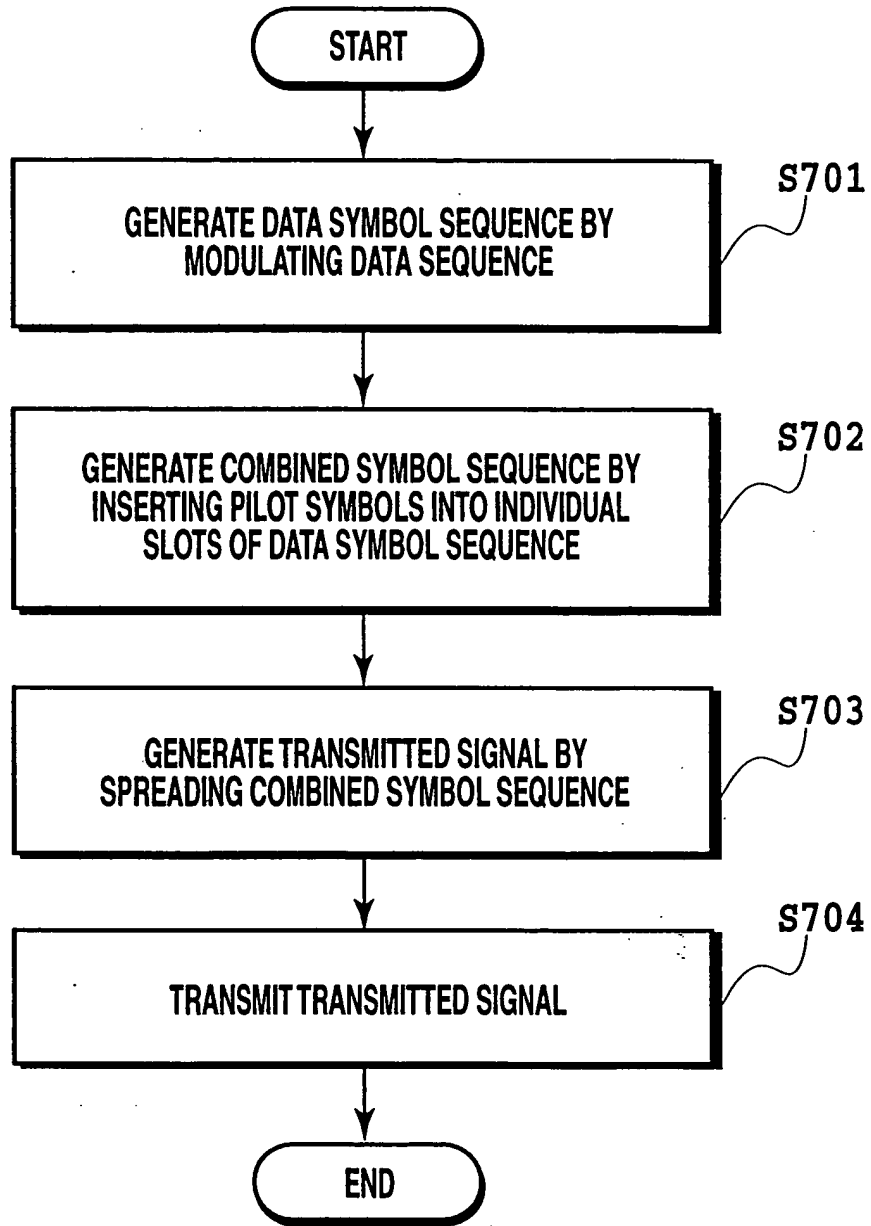


FIG.7

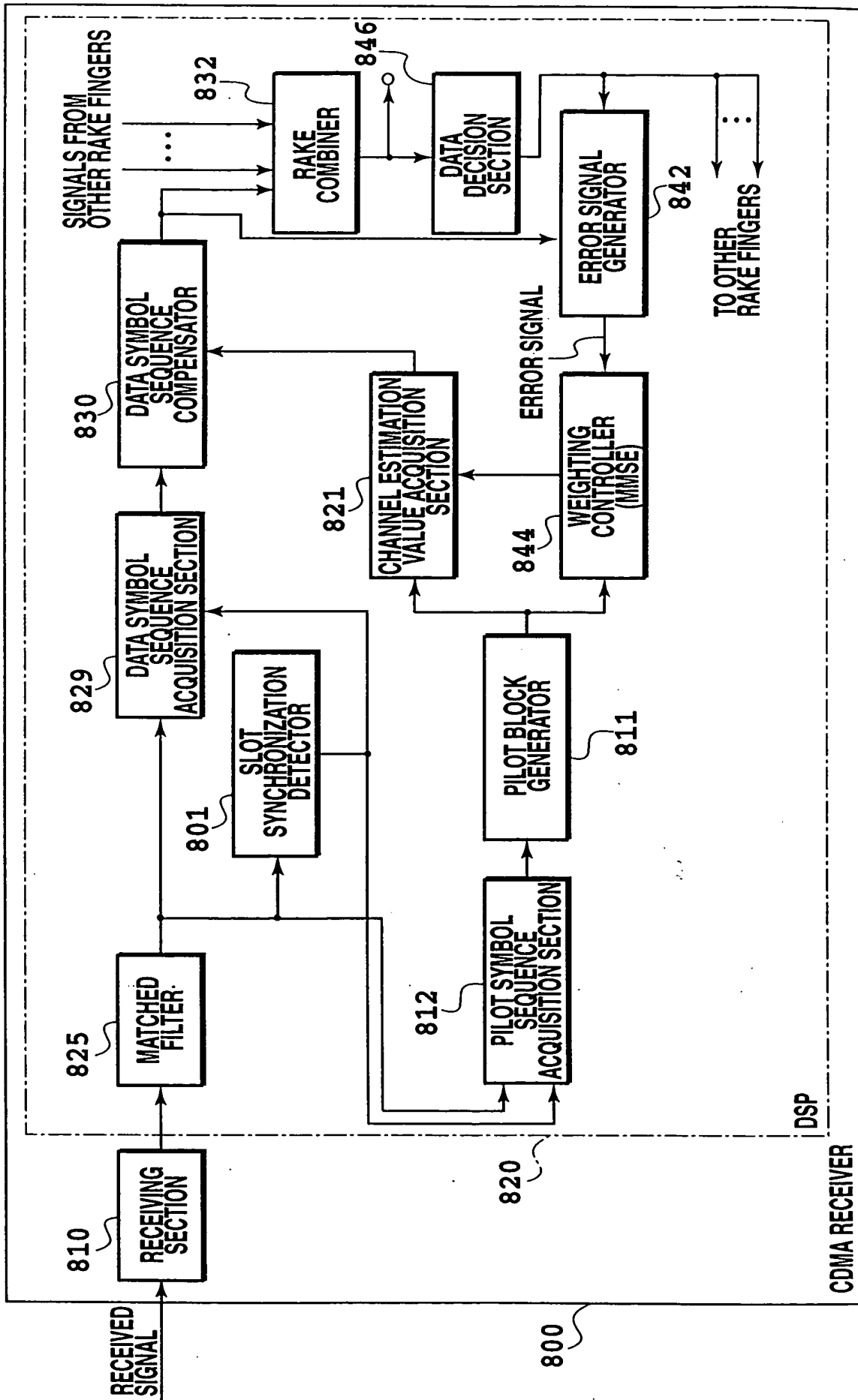


FIG.8

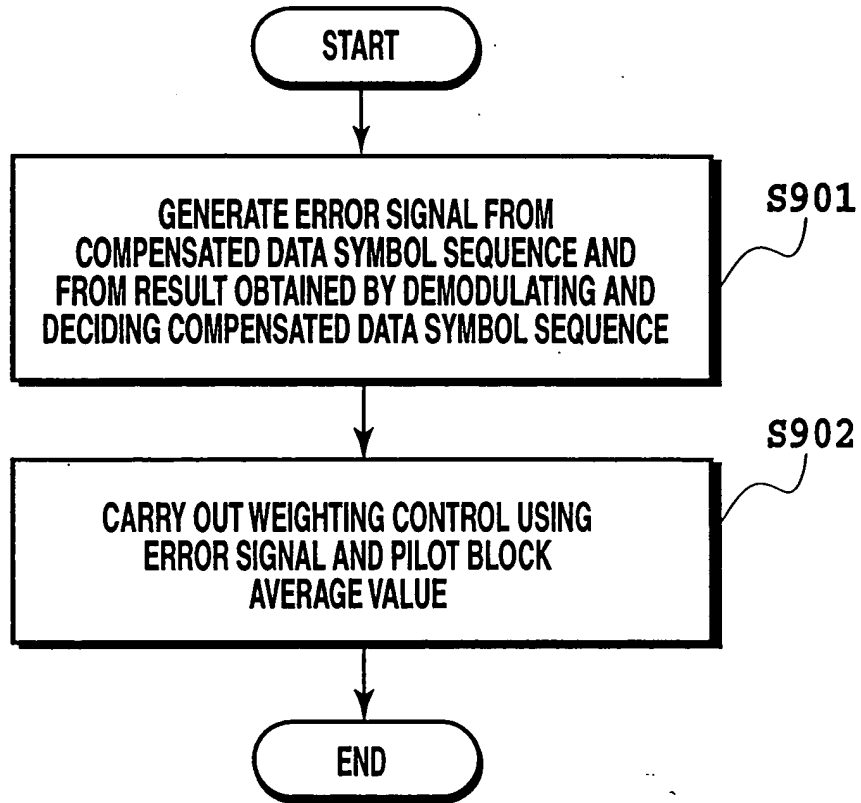


FIG.9

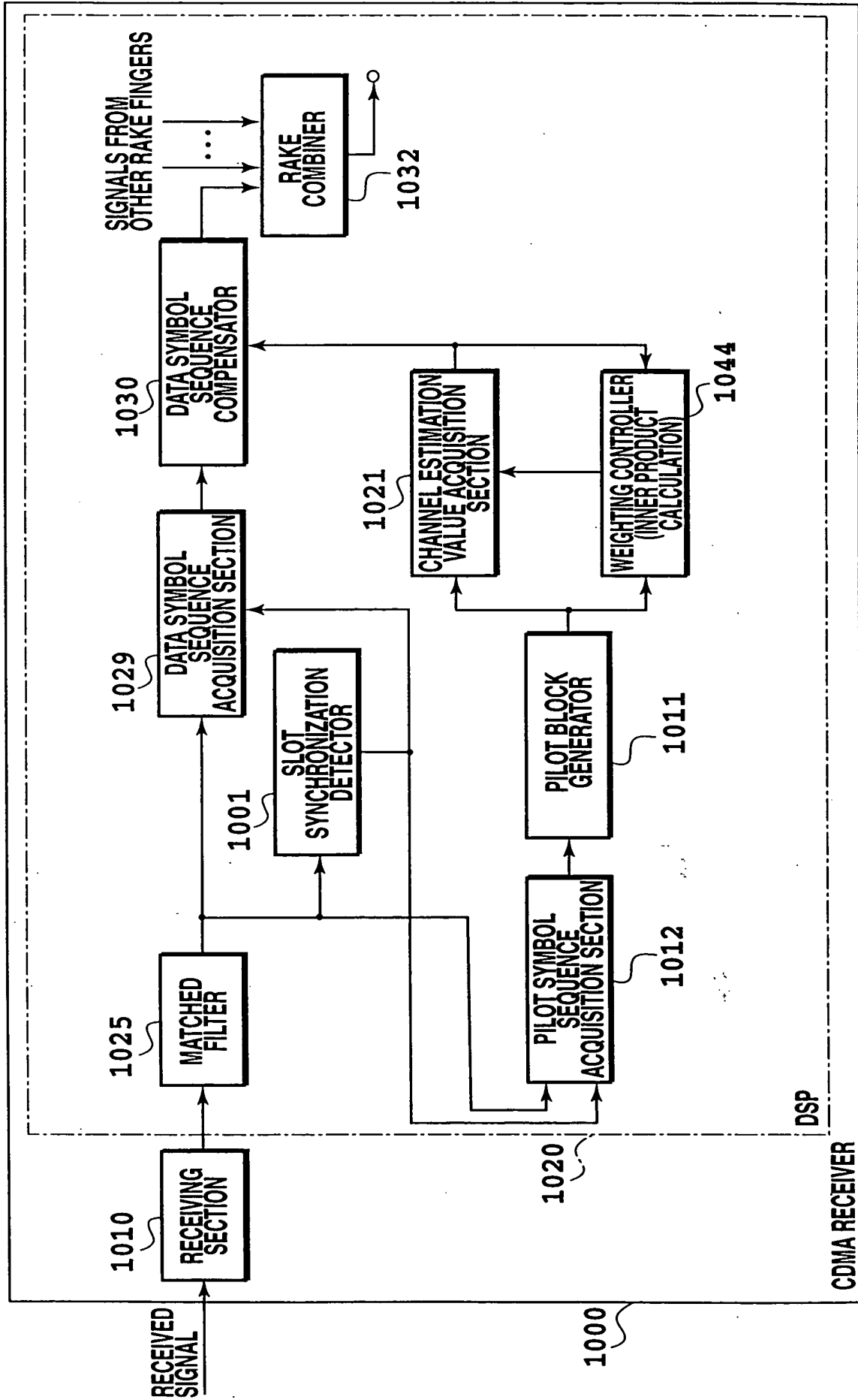


FIG. 10

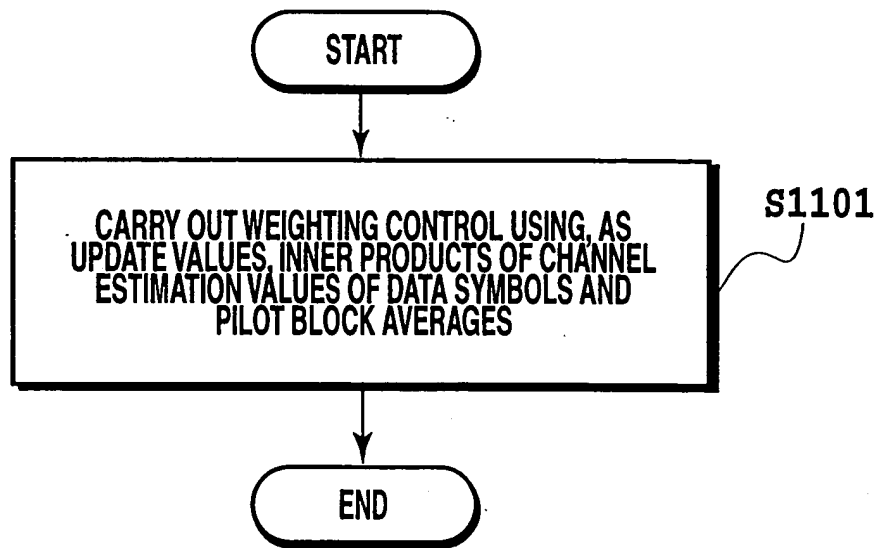


FIG.11

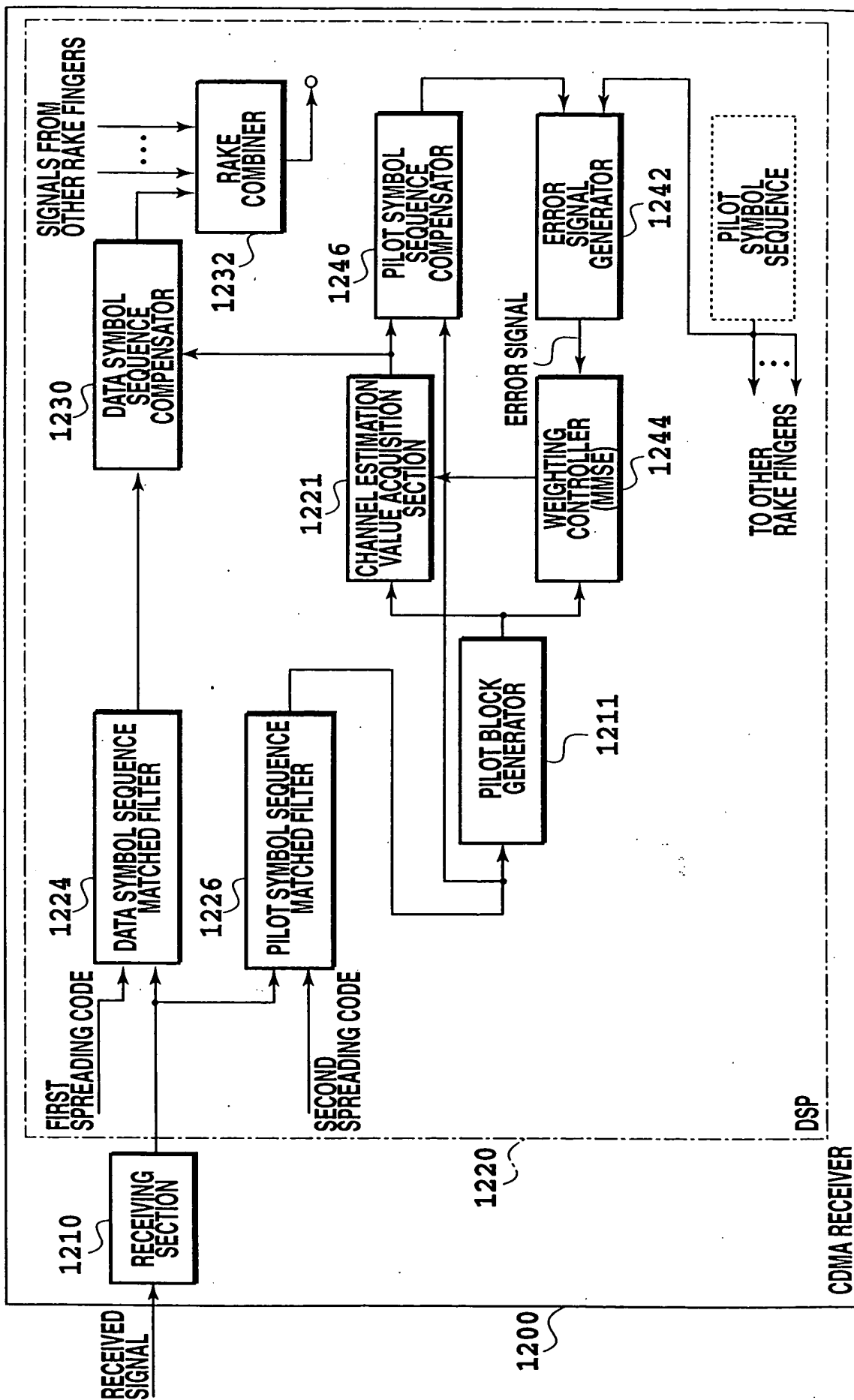
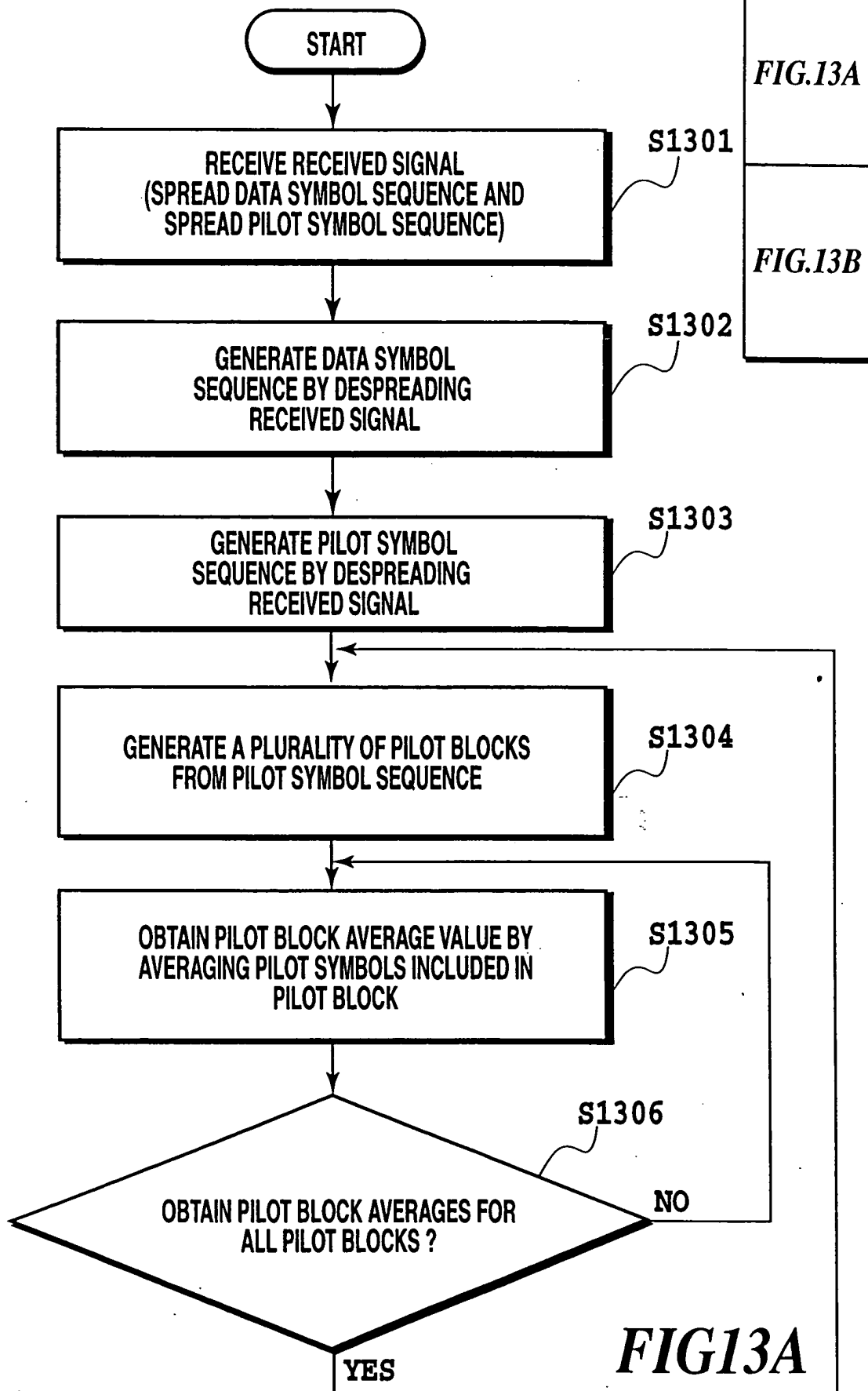


FIG. 12

FIG.13



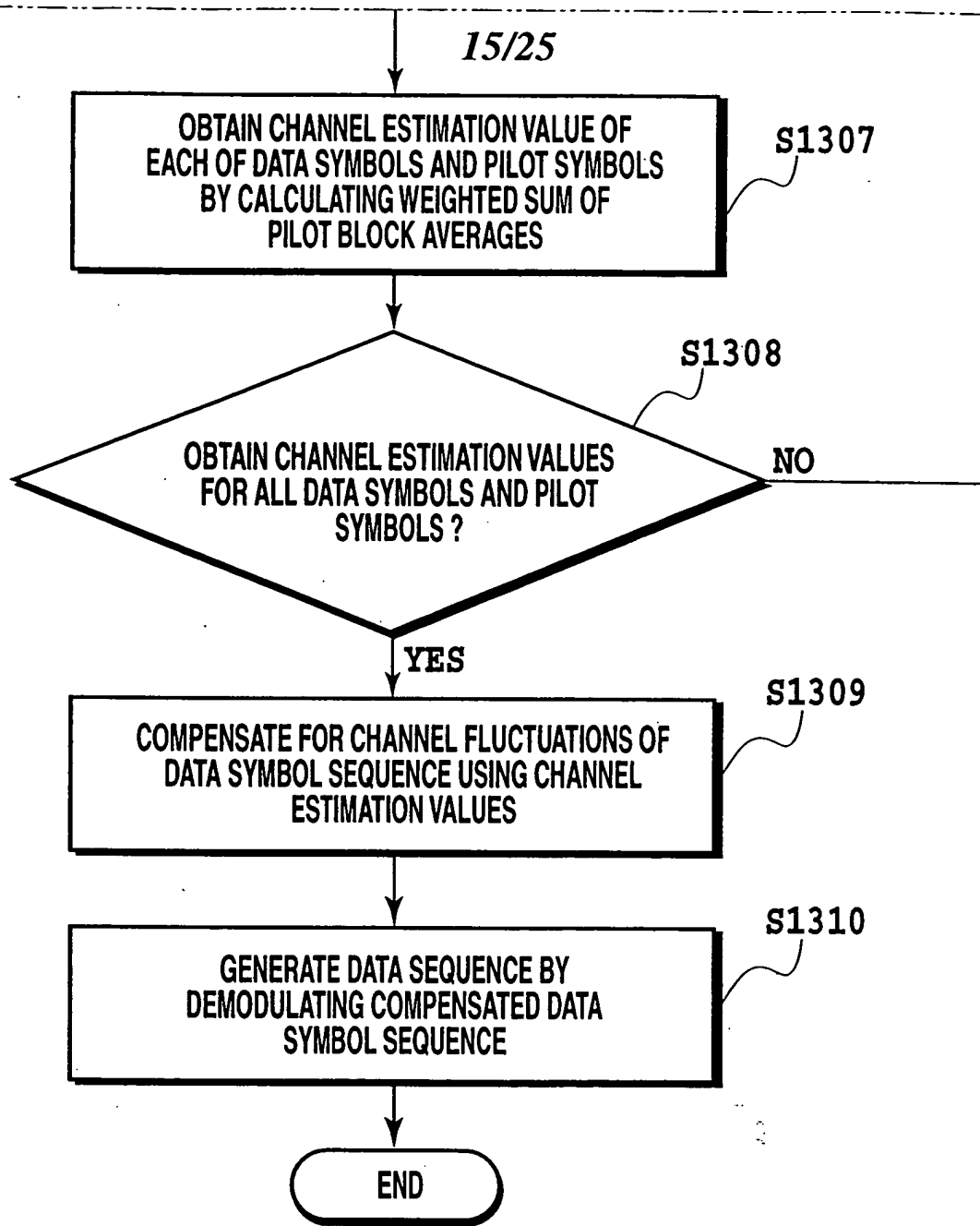


FIG.13B

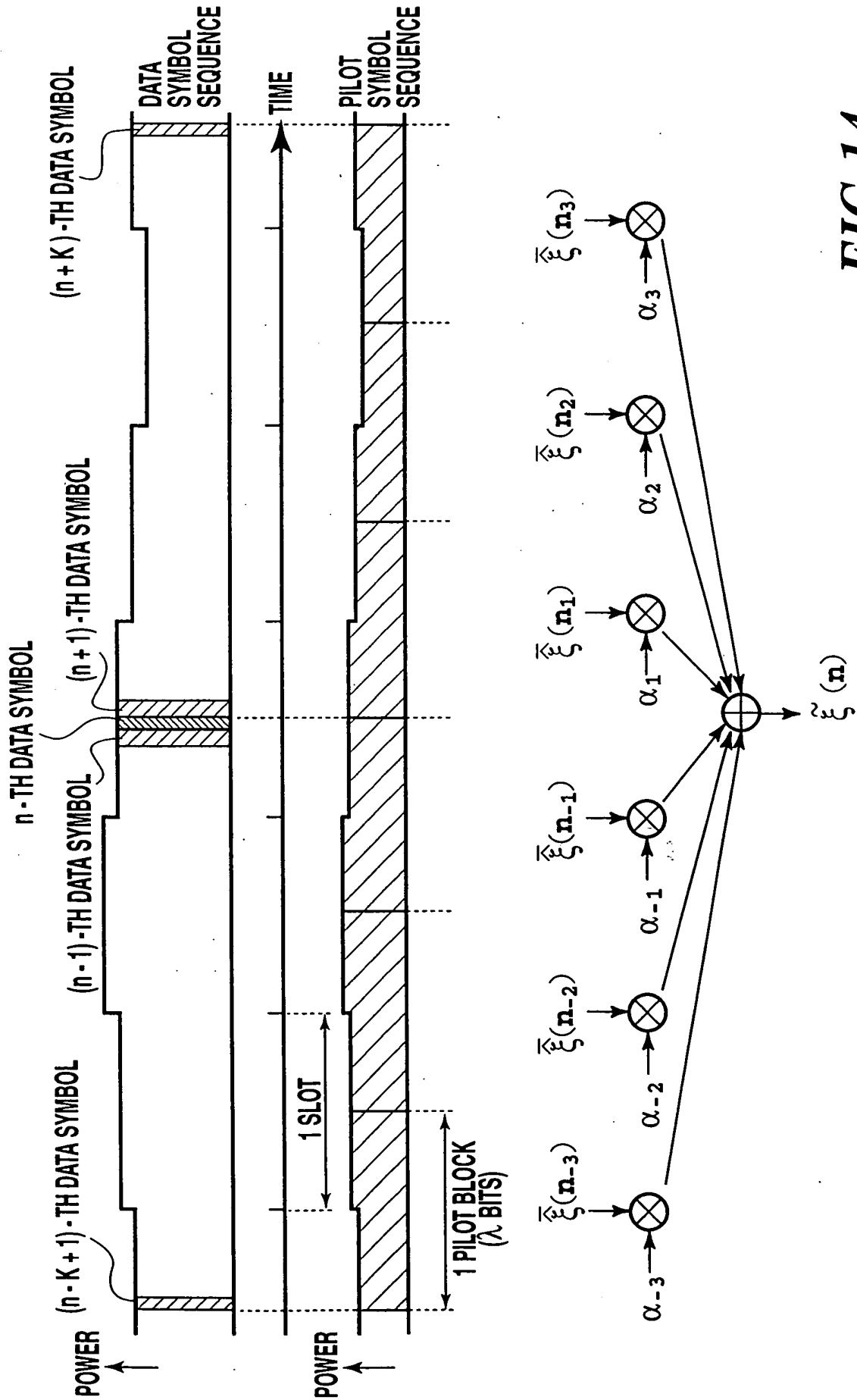


FIG.14

CHANNEL ESTIMATION VALUE OF n -TH DATA SYMBOL

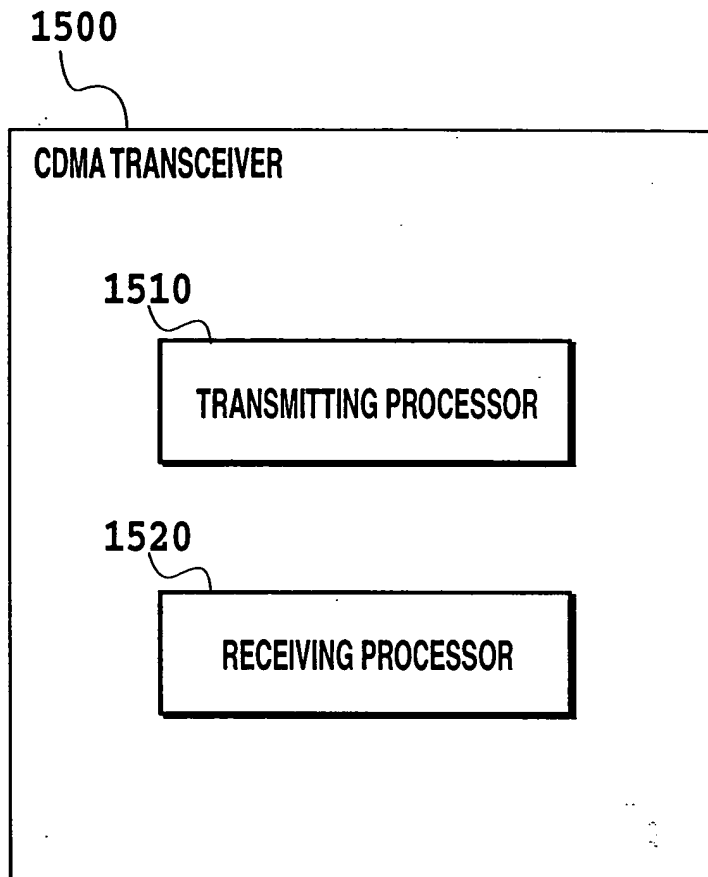


FIG.15

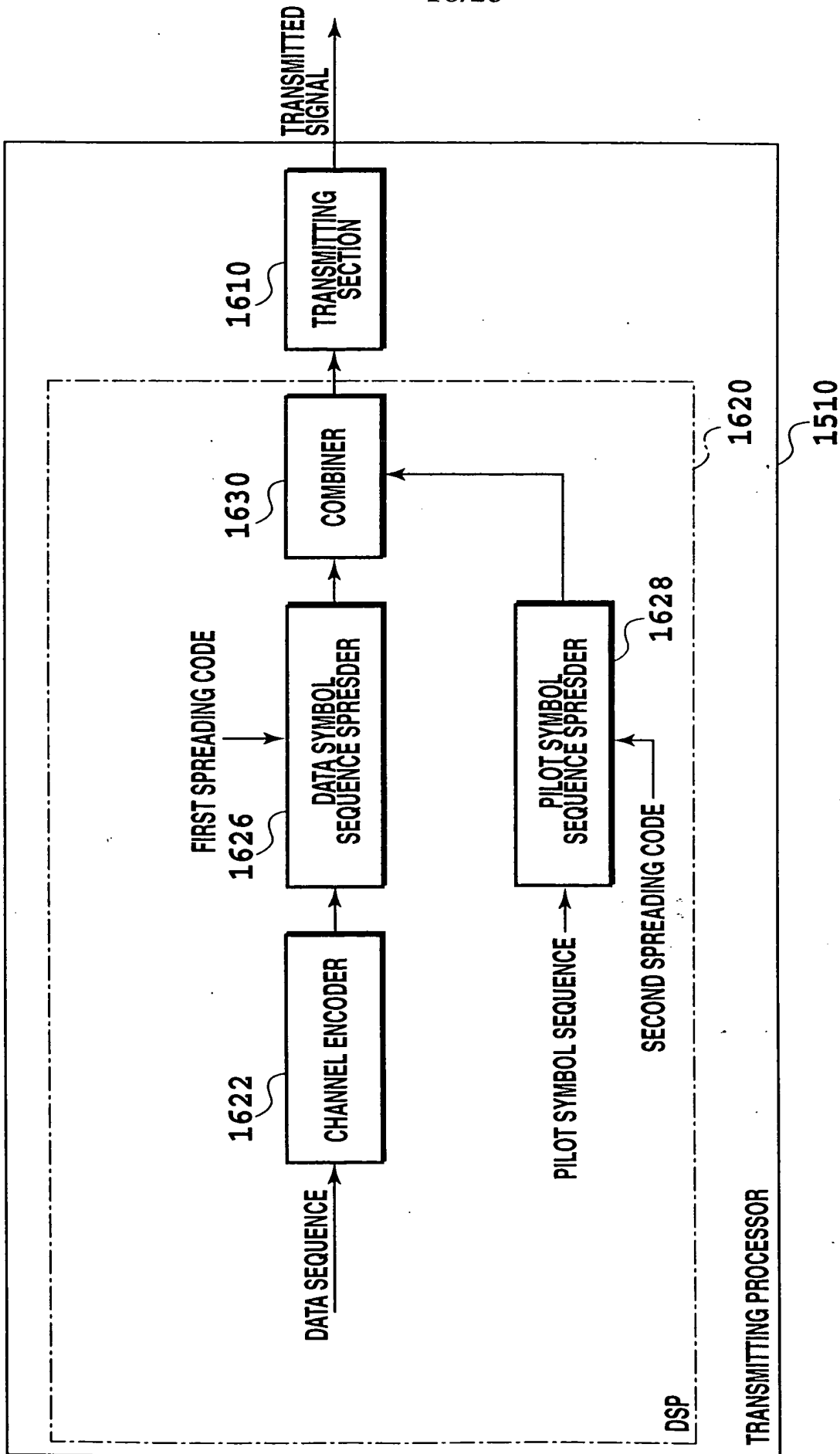


FIG.16

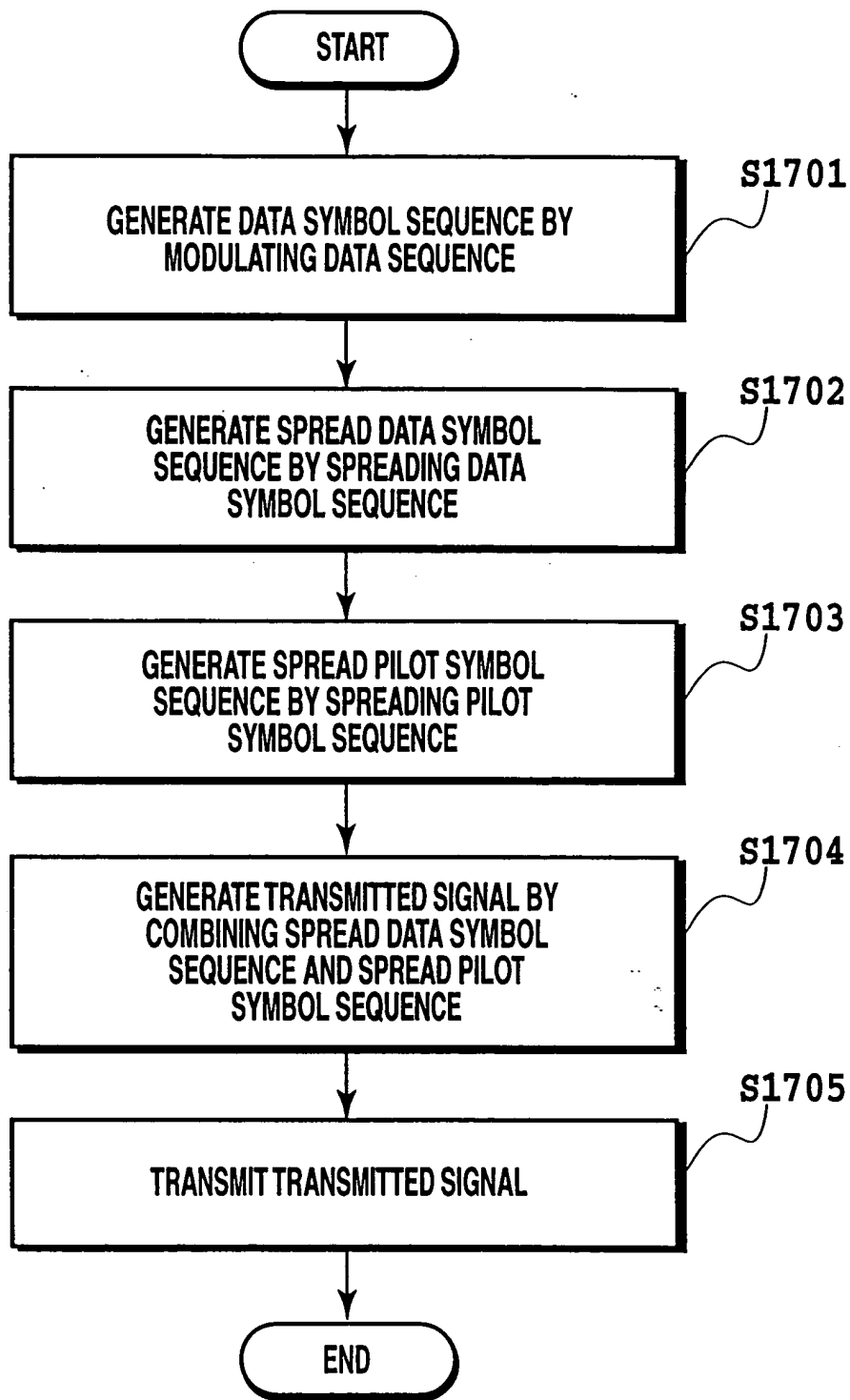


FIG.17

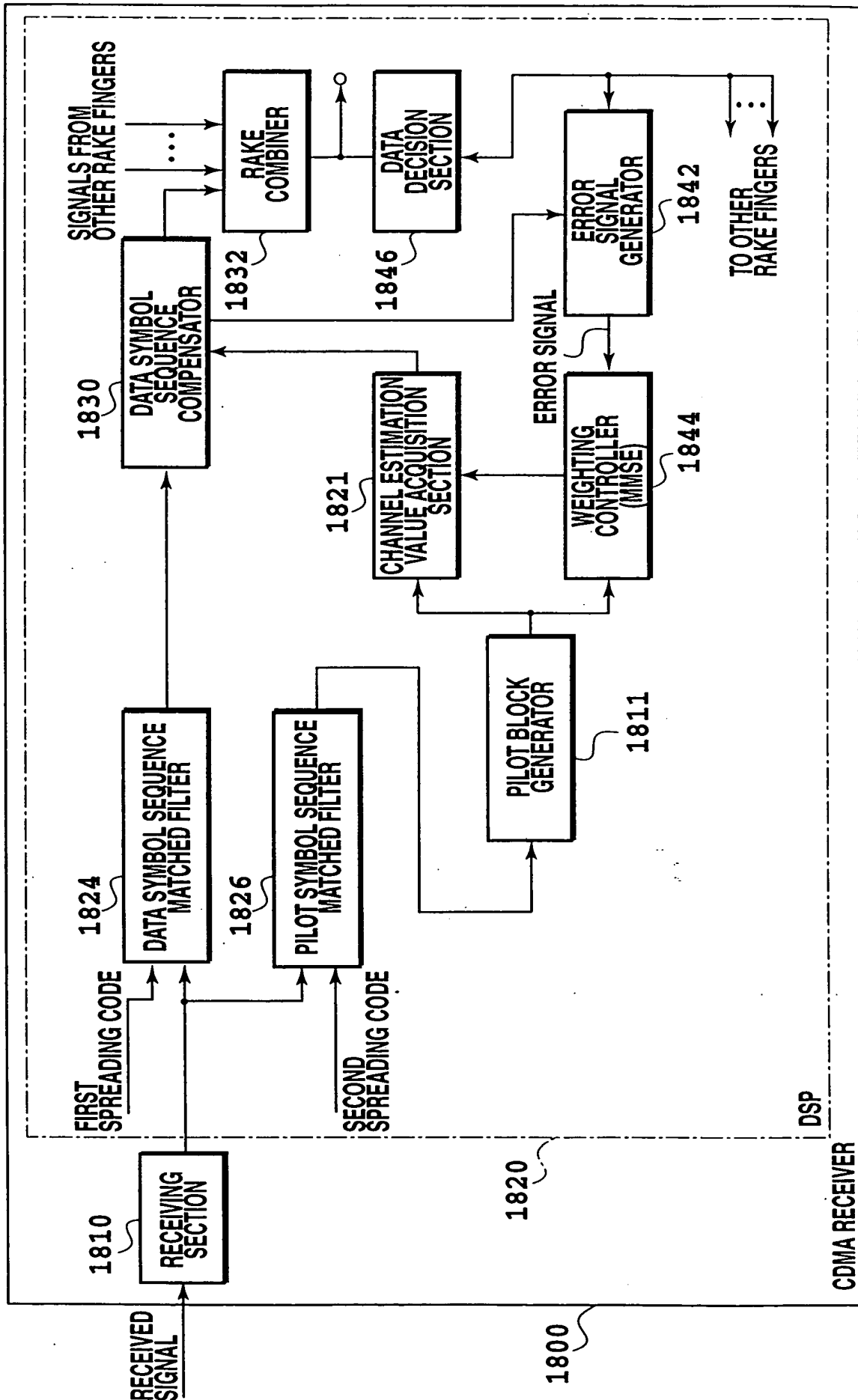


FIG.18

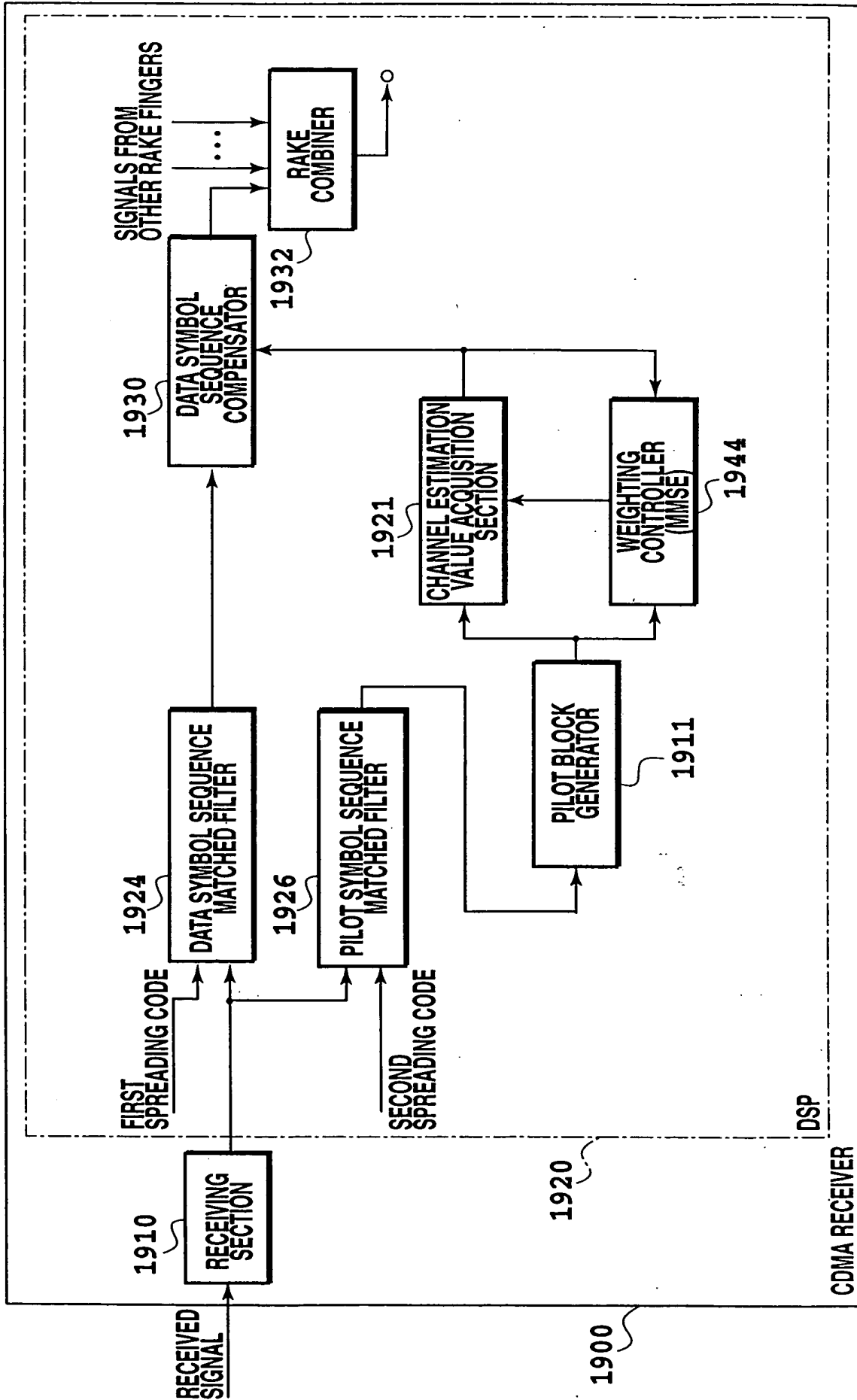
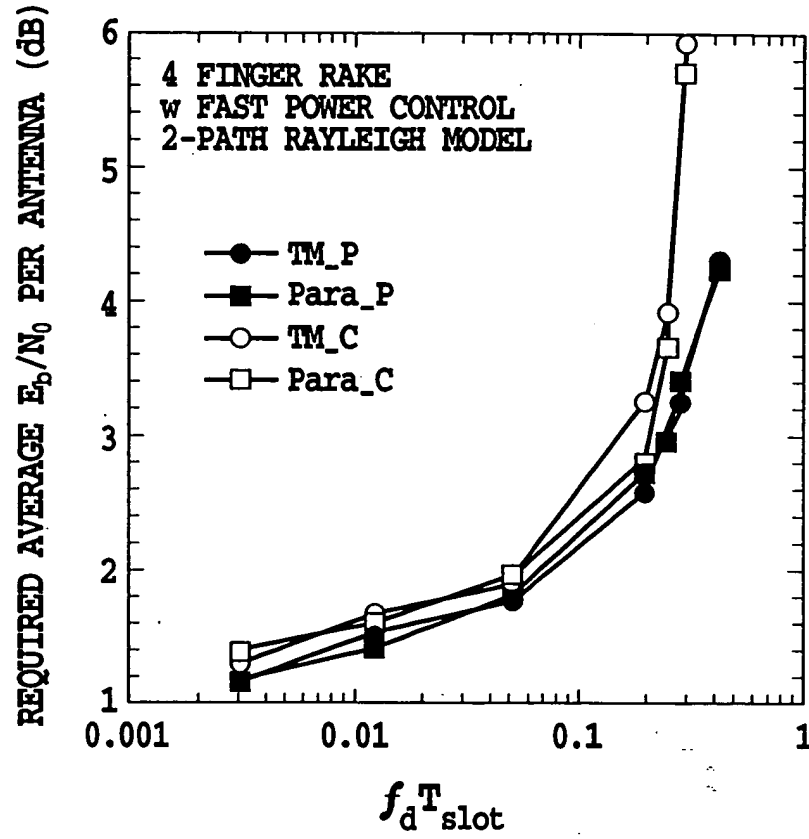


FIG.19

**FIG.20**

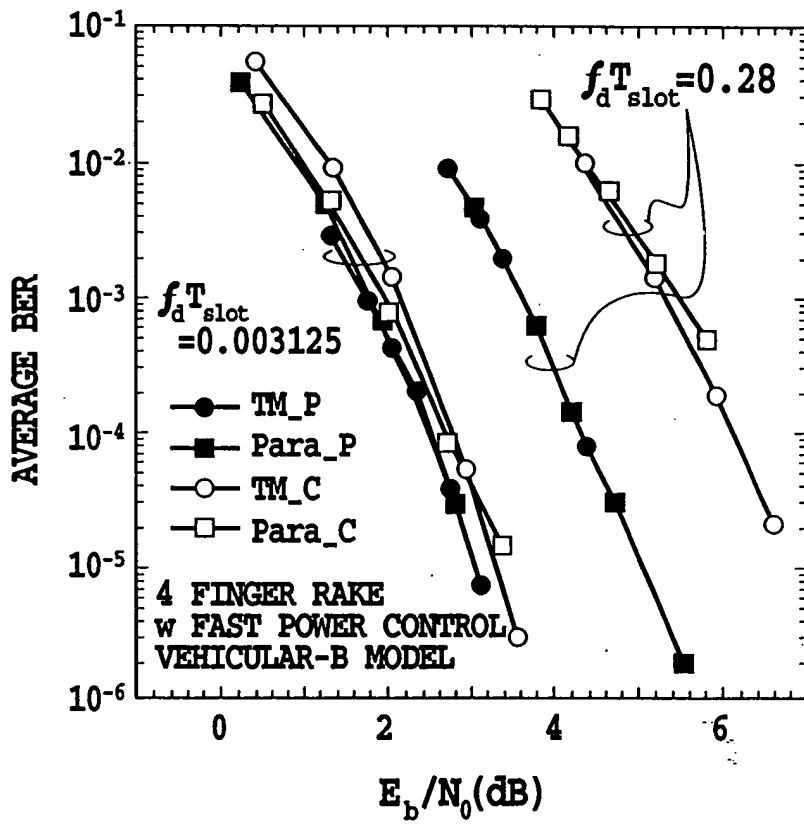


FIG.21

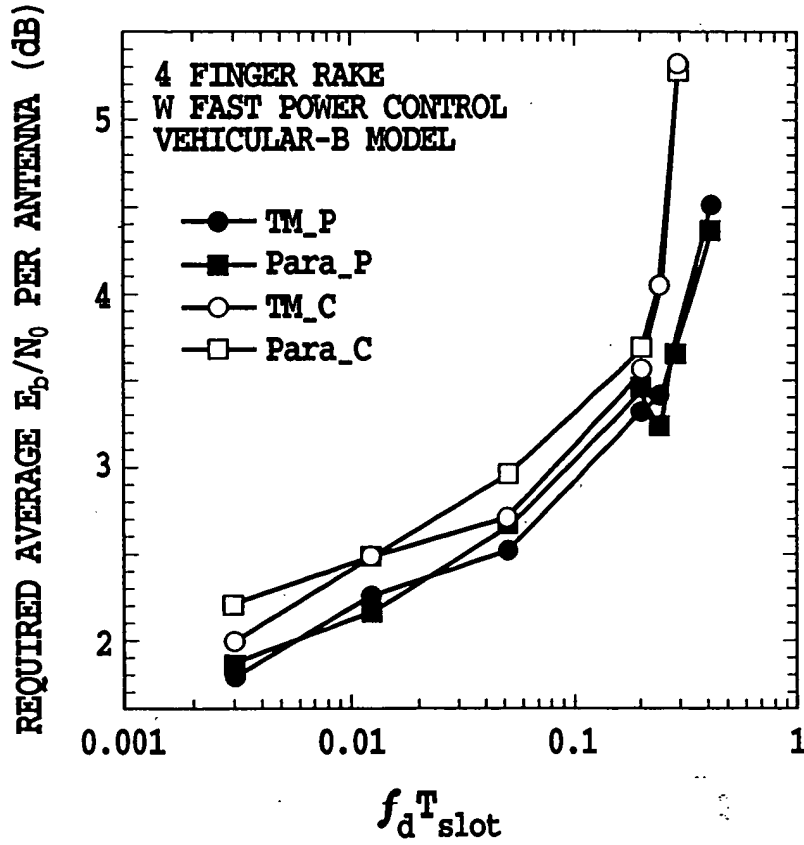


FIG.22

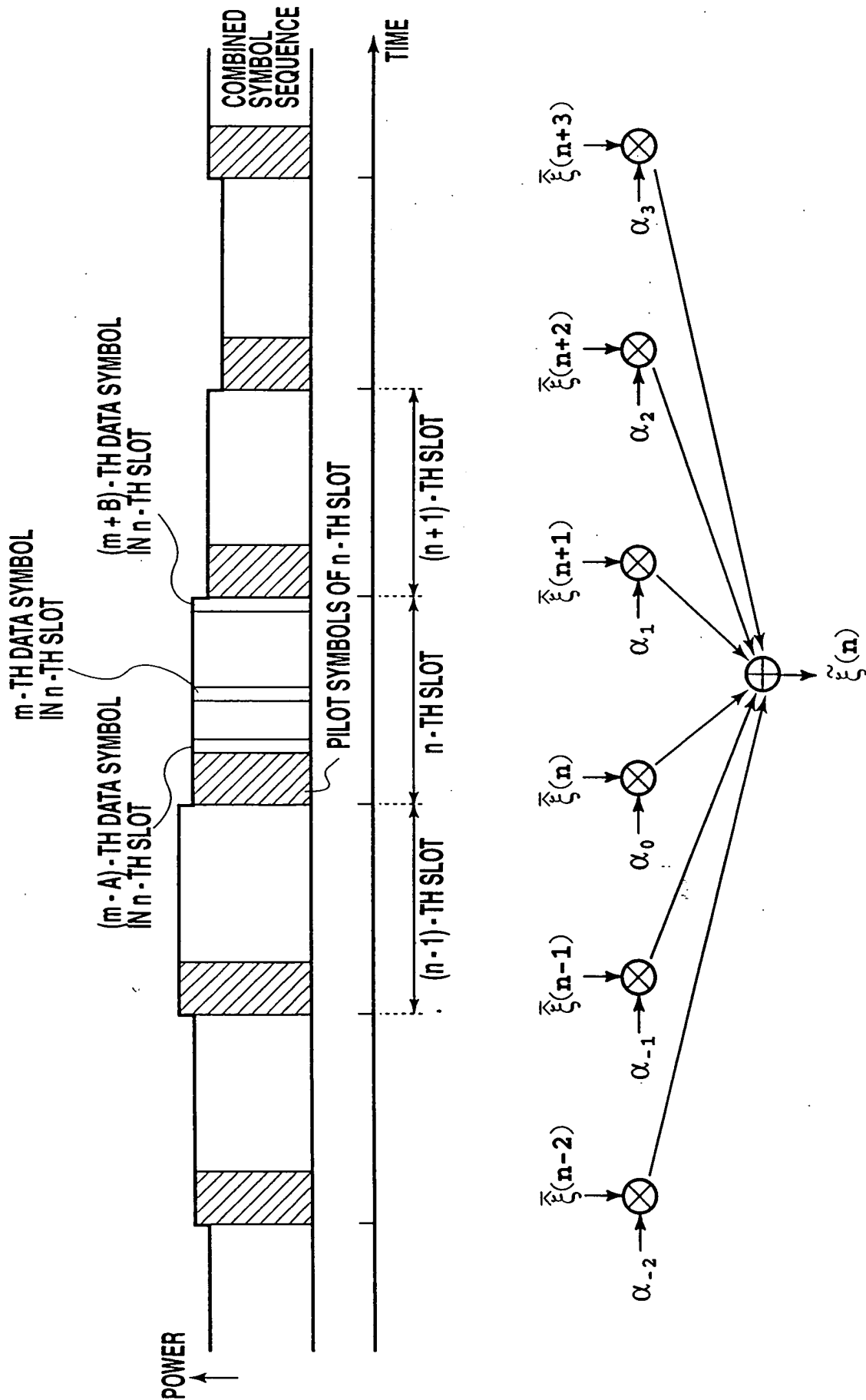


FIG.23

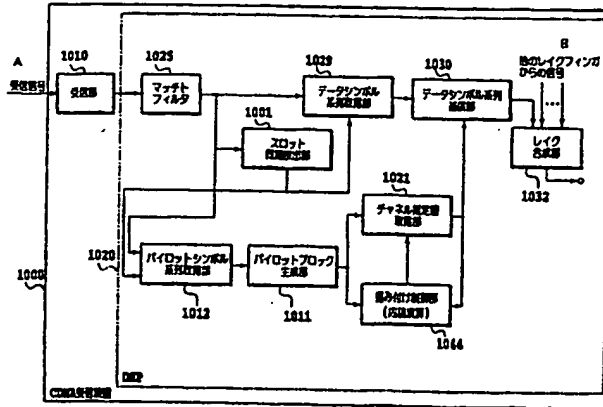
CHANNEL ESTIMATION VALUE COMMON TO DATA SYMBOLS IN n -TH SLOT



<p>(51) 国際特許分類6 H04J 13/00</p>	<p>A1</p>	<p>(11) 国際公開番号 WO99/55033</p> <p>(43) 国際公開日 1999年10月28日(28.10.99)</p>
<p>(21) 国際出願番号 PCT/JP99/02154</p> <p>(22) 国際出願日 1999年4月22日(22.04.99)</p> <p>(30) 優先権データ 特願平10/113581 1998年4月23日(23.04.98) JP</p> <p>(71) 出願人 (米国を除くすべての指定国について) エヌ・ティ・ティ移動通信網株式会社 (NTT MOBILE COMMUNICATIONS NETWORK INC.)[JP/JP] 〒105-8436 東京都港区虎ノ門二丁目10番1号 Tokyo, (JP)</p> <p>(72) 発明者; および</p> <p>(75) 発明者/出願人 (米国についてのみ) 安部田貞行(ABETA, Sadayuki)[JP/JP] 〒239-0841 神奈川県横須賀市野比4-18-4-102 Kanagawa, (JP) 佐和橋衛(SAWAHASHI, Mamoru)[JP/JP] 〒236-0052 神奈川県横浜市金沢区富岡西1-59-17 Kanagawa, (JP) 安達文幸(ADACHI, FumiYuki)[JP/JP] 〒236-0052 神奈川県横浜市金沢区富岡西6-12-4 Kanagawa, (JP)</p> <p>(74) 代理人 谷 義一(TANI, Yoshikazu) 〒107-0052 東京都港区赤坂2丁目6-20 Tokyo, (JP)</p>		<p>(81) 指定国 CN, JP, US, 欧州特許 (AT, BE, CH, CY, DE, DK, ES, FI, FR, GB, GR, IE, IT, LU, MC, NL, PT, SE)</p> <p>添付公開書類 国際調査報告書 請求の範囲の補正の期限前の公開; 補正書受領の際には再公開される。</p>

(54) Title: CDMA RECEIVER AND CDMA TRANSMITTER/RECEIVER

(54) 発明の名称 CDMA受信装置およびCDMA送受信装置



- | | |
|---|---|
| 1000 ... CDMA RECEIVER | 1029 ... ACQUISITION OF DATA SYMBOL SEQUENCE |
| 1001 ... SLOT SYNC DETECTOR | 1030 ... COMPENSATION FOR DATA SYMBOL SEQUENCE |
| 1010 ... RECEIVER SECTION | 1032 ... RAKE COMBINER |
| 1011 ... PILOT BLOCK GENERATOR | 1044 ... WEIGHTING CONTROL (OVERSAMPLING INNER PRODUCT) |
| 1012 ... ACQUISITION OF PILOT SYMBOL SEQUENCE | A ... RECEIVED SIGNAL |
| 1021 ... ACQUISITION OF CHANNEL ESTIMATE | B ... SIGNAL FROM OTHER RAKE FINGERS |
| 1025 ... MATCHED FILTER | |

(57) Abstract

A CDMA receiver and a CDMA transmitter/receiver, which are less sensitive to fading and capable of accurate channel estimation while taking into consideration the rate of channel changes. When channel estimation is performed by summing the weights on the pilot symbol (average) inserted in a data symbol sequence, the rate of channel changes is taken into consideration for the weighting control. For instance, the inner product value of the channel estimate and the pilot symbol (average) is used as an update value for weighting control. This results in accurate channel estimation.

(57)要約

フェージング変動に対する耐性の高い、チャネル変動の速度を考慮した高精度なチャネル推定を行うCDMA受信装置およびCDMA送受信装置を提供する。本発明では、データシンボル系列に挿入されたパイロットシンボル（の平均値）を重み付け加算してチャネル推定を行う際に、チャネル変動の速度を考慮して重み付けの制御を行う。重み付けの制御は、例えば、チャネル推定値と、パイロットシンボル（の平均値）との内積値を更新値として行う。これにより、高精度なチャネル推定を行うことができる。

PCTに基づいて公開される国際出願のパンフレット第一頁に掲載されたPCT加盟国を同定するために使用されるコード(参考情報)

AE	アラブ首長国連邦	DM	ドミニカ	KZ	カザフスタン	RU	ロシア
AL	アルバニア	EE	エストニア	LC	セントルシア	SD	スーダン
AM	アルメニア	ES	スペイン	LI	リヒテンシュタイン	SE	スウェーデン
AT	オーストリア	FI	フィンランド	LK	スリ・ランカ	SG	シンガポール
AU	オーストラリア	FR	フランス	LR	リベリア	SI	スロヴェニア
AZ	アゼルバイジャン	GA	ガボン	LS	レソト	SL	スロヴァキア
BA	ボスニア・ヘルツェゴビナ	GB	英国	LT	リトアニア	SK	シエラ・レオネ
BB	バルバドス	GD	グレナダ	LU	ルクセンブルグ	SN	セネガル
BE	ベルギー	GE	グルジア	LV	ラトヴィア	SZ	スワジランド
BF	ブルキナ・ファソ	GH	ガーナ	MA	モロッコ	TG	チャード
BG	ブルガリア	GM	ガンビア	MC	モナコ	TD	トーゴ
BJ	ベナン	GN	ギニア	MD	モルドヴァ	TJ	タジキスタン
BR	ブラジル	CW	ギニア・ビサオ	MG	マダガスカル	TZ	タンザニア
CA	ベラルーシ	GR	ギリシャ	MK	マケドニア旧ユーゴスラヴィア	TM	トルクメニスタン
CC	カナダ	HR	クロアチア		共和国	TR	トルコ
CF	中央アフリカ	HU	ハンガリー	ML	マリ	TT	トリニダード・トバゴ
CG	コンゴ	ID	インドネシア	MN	モンゴル	TR	ウクライナ
CH	スイス	IE	アイルランド	MR	モーリタニア	UG	ウガンダ
CI	コートジボワール	IL	イスラエル	MW	マラウイ	US	米国
CM	カメルーン	IN	インド	MX	メキシコ	UZ	ウズベキスタン
CN	中国	IS	アイスランド	NE	ニジェール	VN	ヴェトナム
CR	コスタ・リカ	IT	イタリア	NL	オランダ	YU	ユーゴスラビア
CU	キューバ	JP	日本	NO	ノルウェー	ZA	南アフリカ共和国
CY	キプロス	KE	ケニア	NZ	ニュージーランド	ZW	ジンバブエ
CZ	チェッコ	KG	キルギスタン	PL	ポーランド		
DE	ドイツ	KP	北朝鮮	PT	ポルトガル		
DK	デンマーク	KR	韓国	RO	ルーマニア		

明細書

CDMA受信装置およびCDMA送受信装置

技術分野

本発明は、フェージング変動に対する耐性の高い、チャネル変動（伝搬路変動）の速度を考慮した高精度なチャネル推定を行うCDMA（Code Division Multiple Access：符号分割多元接続）受信装置およびCDMA送受信装置に関する。

背景技術

移動通信環境下においては、移動局と基地局との相対位置の変動に伴うレイリーフェージングに起因した通信チャネルの振幅変動、位相変動が生ずる。そのため、従来、データ（情報）を搬送波位相で伝送する位相変調方法においては、送信側では送信しようとするデータを差動符号化して、前後のシンボルの相対位相にデータを載せておき、受信側では遅延検波を行うことによりデータを識別、判定する方法が一般的であった。

しかし、遅延検波では、前述のように送信するデータを差動符号化するため、無線区間での1ビット誤りがデータの2ビット誤りになってしまい、同期検波、例えば2相位相変調方式（BPSK変調）と比較して、同じSNIR（Signal-to-Noise and Interference power Ratio：希望受信信号電力対干渉・雑音電力比）で受信誤り率が3dB劣化する。

一方、受信信号の位相を各データシンボル毎に絶対位相で識別判定する絶対同期検波は高効率な受信特性であるが、レイリーフェージング環境下において受信絶対位相を判定することは困難である。

この問題を解決するために、データシンボル系列にパイロットシンボルを挿入し、このパイロットシンボルを用いてデータシンボルのチャネル推定を行う方法が提案されている。パイロットシンボルの挿入方式としては、データシンボル間にパイロットシンボルを挿入する時間多重型パイロットチャネル方式、およびパイロットシンボルをデータシンボルに並列に挿入する並列型パイロットチャネル方式がある。

時間多重型パイロットチャネル方式によるチャネル推定法としては、以下の文献1、文献2および文献3の方法がある。

文献1：“Rayleigh Fading Compensation for QAM in Land Mobile Radio Communication: Seiichi Sampei and Terumi Sunaga, IEEE Trans. Vehicular Technol. VT-42, No.2, May 1993”では、データシンボル間に一定周期で挿入された位相既知のパイロットシンボルを用いてフェージング歪みを推定し、補償する方法が提案されている。文献1の方法においては、数データシンボルごとにパイロットシンボルを1つ挿入し、このパイロットシンボルの受信位相を基にチャネル推定を行う。すなわち、該当するデータシンボル区間の前後のパイロットシンボルでの各通信者の各パスの受信信号の振幅、位相測定を行い、この測定値を内挿することにより、データシンボル区間のチャネル変動を推定し、補償する。

文献2：“Channel Estimation Filter Using Time-Multiplexed Pilot Channel for Coherent RAKE Combining in DS-CDMA Mobile Radio: Hidehiro Ando et.al, IEICE Trans. Commun. Vol.81-B, No.7, July 1998”では、より多くのパイロットシンボルを用いてチャネル推定を行うことにより、より高精度なチャネル推定を行う方法が提案されている。

図23は、文献2によるチャネル推定の方法を示す図である。この方法においては、瞬時のレイリー変動に追従するために、スロット単位で送信

電力制御を行っている。従って、図 23 に示すように、データシンボルおよびパイロットシンボルによる合成シンボル系列の振幅（電力）はスロット単位で変化し、また送信の際の増幅器の動作により位相も僅かに変化する。このような送信電力制御により、例えば、DS-SS (Direct Sequence CDMA: 直接拡散 CDMA) の上りチャンネルにおいて、他ユーザからの相互相関に起因する干渉信号に対して SNIR を確保することができる。

データシンボルのチャンネル推定は、データシンボル間に一定周期で挿入されたパイロットシンボルを用いて行う。具体的には、チャンネル推定を行うデータシンボルの属するスロットの前後複数のスロットにおいて、パイロットシンボル（複素フェージング包絡線推定値: estimated complex fading envelope) の平均をとり（同相加算して）、その平均値 $\bar{\xi}$ を重み付け係数 α_0 、 α_1 等で重み付け加算（重み付け平均化）してチャンネル推定値 $\tilde{\xi}$ を取得することにより行う。このようにして高精度なチャンネル推定を行う。

異なるスロットに属する多くのパイロットシンボルを用いてチャンネル推定を行うことにより高精度なチャンネル推定を行うことができる。実際の移動伝搬環境においては、熱雑音（送信電力をできるだけ低減させるために、特にセル端では雑音リミテッドな環境になる）、および他ユーザからの相互相関に起因する干渉信号が、自チャンネルの希望波信号に加わり、さらに、フェージングによって受信信号の位相や振幅が時々刻々と変化するためにチャンネル推定精度は劣化するからである。スロットが異なるパイロットシンボル間では電力が異なるが、この差に起因するチャンネル推定誤差よりも、より多くのスロットのパイロットシンボルを用いることによる熱雑音、干

渉信号の影響の低減効果の方が大きい。

文献2の方法では、各スロット内のチャネル変動は小さいものとして、1スロット内のすべてのデータシンボルに対して、同じ重み付け係数 α を用いて同じチャネル推定値 $\tilde{\zeta}$ を取得している。そのため、高速フェージング時に特性の劣化が生ずるという問題がある。

文献3：“Performance Comparison between Time-Multiplexed Pilot Channel and Parallel Pilot Channel for Coherent Rake Combining in DS-CDMA Mobile Radio: Sadayuki Abeta et. al, IEICE Trans. Commun. Vol.81-B, No.7, July 1998”では、データシンボルのチャネル推定を行う際に、1スロット内のデータシンボルの各々に対して適切な重み付け係数（スロット内の m 番目のデータシンボルについて $\alpha_{m,0}$ 、 $\alpha_{m,1}$ 等）を用いて、そのデータシンボルの属するスロットの前後複数のスロットにおけるパイロットシンボルを適切に重み付け加算し、チャネル推定値を取得することにより、より高精度なチャネル推定を行う方法が提案されている。本発明の第1～4実施形態ではこの方法を用いている（図3参照）。

例えば、図23において、 n 番目のスロットの $m-A$ 番目（ A ：自然数）のデータシンボルについては、 n 番目のスロットのパイロットシンボルの重み付けを最も大きくする。なぜなら、 n 番目のスロットのパイロットシンボルが $m-A$ 番目のデータシンボルに（時間的に）最も近く、当該データシンボルを送信した際のチャネルの状態を最も反映しているからである。また、 n 番目のスロットの $m+B$ 番目（ B ：自然数）のデータシンボルについては、 $n+1$ 番目のスロットのパイロットシンボルの重み付けを最も大きくする。なぜなら、 $n+1$ 番目のスロットのパイロットシンボルが $m+B$ 番目のデータシンボルに（時間的に）最も近く、当該データシンボル

を送信した際のチャネルの状態を最も反映しているからである。

並列型パイロットチャネル方式によるチャネル推定法としては、以下の文献4および上述の文献3の方法がある。

文献4：“DS/CDMA Coherent Detection System with a Suppressed Pilot Channel: Sadayuki Abeta et.al, IEEE GLOBECOM'94, pp.1622-1626, 1994”
では、データを送信するデータチャネルに対し、これに直交した位相既知のパイロットチャネルを並列に挿入してフェージング歪みを推定し、補償する方法が提案されている。

データシンボルのチャネル推定は、そのデータシンボルの属する区間内のパイロットシンボルの平均をとり、チャネル推定値を取得することにより行う。このようにしてSNIRの高いチャネル推定を行なう。この推定値を用いて、該当するデータシンボル区間のパイロットシンボルでの各通信者の各パスの受信信号の検出を行い、各パスの信号毎に、振幅、位相測定を行い、該当するデータシンボル区間のチャネル変動を推定し、補償する。

文献4の方法では、データシンボルのチャネル推定を行う際に、単にそのデータシンボルが含まれるスロットのパイロットシンボルの平均をとってチャネル推定値としている。

上述の文献3では、データシンボルのチャネル推定を行う際に、パイロットシンボルを適切に重み付け加算してより高精度なチャネル推定値を取得し、より高精度なチャネル推定を行う方法が提案されている。本発明の第5～8実施形態ではこの方法を用いている（図14参照）。

図14は、文献3によるチャネル推定の方法を示す。図14において、チャネル推定は、データシンボル系列に対し並列なパイロットシンボル系列を用いて行う。具体的には、パイロットシンボルから複数のパイロット

ブロックを生成し、パイロットブロックに含まれるパイロットシンボルの平均をとり、その平均値 $\bar{\xi}$ を重み付け係数 α_1 、 α_2 等で重み付け加算してチャンネル推定値 $\hat{\xi}$ を取得することにより行う。このようにして高精度なチャンネル推定を行う。異なるスロットに属する多くのパイロットシンボルを用いてチャンネル推定を行うことにより高精度なチャンネル推定を行うことができる。

電力損を押さえるため、パイロットシンボル系列の電力は、データシンボル系列の電力よりも小さくしている。また、瞬時のレイリー変動に追従するために、スロット単位で送信電力制御を行っている。これにより、例えば、DS-SSの周波数拡散方式の上りチャンネルにおいて、他ユーザからの相互相関に起因する干渉信号に対してSNIRを確保することができる。

しかし、上記文献3および4の方法では、フェージング変動の速さに拘わらず常に重み付け値が一定であるので、低速のフェージング変動に最適な重み付け値を設定した場合には、高速フェージング時に高精度なチャンネル推定を行うことができず、他方、高速のフェージング変動に最適な重み付け値を設定した場合には、低速フェージング時に高精度なチャンネル推定を行うことができないという問題があった。

発明の開示

本発明は上記問題を解決するためになされたものであり、パイロットシンボルに対する重み付け値を、チャンネル変動の速度に応じて適応的に最適化することにより、フェージング変動に対する耐性を向上させ、高精度なチャンネル推定を行うことを目的とする。

高精度なチャンネル推定およびそれに基づくデータシンボルのチャンネル変

動の補償を行うことができれば、例えば、レイリーフェージング環境下においても、絶対同期検波を用いてデータシンボルごとに絶対位相を判定することができ、所要の受信品質（受信誤り率）を得るために必要なSNIRを低減させることができる。したがって、送信電力を低減させることができ、システムの加入者容量を増大させることができる。

上記目的を達成するために、請求項1に記載の発明は、複数のスロットを有し、データシンボルとパイロットシンボルとを含んだ合成シンボル系列を含む信号を受信し、復調するCDMA受信装置であって、前記合成シンボル系列における前記パイロットシンボルの位置を検出する手段と、前記検出結果に基づき、複数のスロットにおいて、前記合成シンボル系列から前記パイロットシンボルを取り出し、パイロットブロックを生成する手段と、前記パイロットブロックに含まれる前記パイロットシンボルの平均値の各々を重み付け加算して、チャンネル推定値を取得する手段と、前記検出結果に基づき、前記合成シンボル系列からデータシンボル系列を取得する手段と、前記チャンネル推定値を用いて前記データシンボル系列のチャンネル変動を補償する手段と、前記チャンネル変動の速度に応じて前記重み付けを制御する手段とを備えたことを特徴とする。

請求項2に記載の発明は、請求項1に記載のCDMA受信装置において、前記重み付けを制御する手段は、前記チャンネル推定値を用いて、前記合成シンボル系列から取り出したパイロットシンボル系列のチャンネル変動を補償する手段と、前記補償されたパイロットシンボル系列、および理想的なパイロットシンボル系列に基づき誤差信号を生成する手段と、前記誤差信号、および前記パイロットブロックに含まれる前記パイロットシンボルの平均値を用いて前記重み付けの制御を行う手段とを有することを特徴とする。

請求項 3 に記載の発明は、請求項 1 に記載の CDMA 受信装置において、前記重み付けを制御する手段は、前記補償されたデータシンボル系列、および前記補償されたデータシンボル系列を復調し、データ判定した結果に基づき誤差信号を生成する手段と、前記誤差信号、および前記パイロットブロックに含まれる前記パイロットシンボルの平均値を用いて前記重み付けの制御を行う手段とを有することを特徴とする。

請求項 4 に記載の発明は、請求項 1 に記載の CDMA 受信装置において、前記重み付けを制御する手段は、前記データシンボルの前記チャネル推定値と、前記パイロットブロックに含まれる前記パイロットシンボルの平均値との内積値を更新値として前記重み付けの制御を行うことを特徴とする。

請求項 5 に記載の発明は、請求項 1 ないし 4 のいずれかに記載の CDMA 受信装置において、前記 CDMA 受信装置は、データシンボル系列にパイロットシンボルを数シンボル単位で一定周期で挿入したスロットからなるフレーム構成を有する合成シンボル系列を含む信号を受信することを特徴とする。

請求項 6 に記載の発明は、請求項 1 ないし 5 のいずれかに記載の CDMA 受信装置において、前記パイロットブロックは、スロット内のすべてのパイロットシンボルから形成されることを特徴とする。

請求項 7 に記載の発明は、請求項 1 ないし 6 のいずれかに記載の CDMA 受信装置において、前記合成シンボル系列中の n 番目 (n は整数) のスロットのデータシンボルの前記チャネル推定値を取得する場合、前記パイロットブロックは、前記合成シンボル系列中の $(n - K + 1)$ 番目 (K は自然数) のスロットから $(n + K)$ 番目のスロットまでにおいて生成されることを特徴とする。

請求項 8 に記載の発明は、データシンボル系列、および前記データシン

ボル系列に対し並列なパイロットシンボル系列を含む信号を受信し、復調するCDMA受信装置であって、前記パイロットシンボル系列から複数のパイロットブロックを生成する手段と、前記パイロットブロックに含まれるパイロットシンボルの平均値の各々を重み付け加算して、チャンネル推定値を取得する手段と、前記チャンネル推定値を用いて前記データシンボル系列のチャンネル変動を補償する手段と、前記チャンネル変動の速度に応じて前記重み付けを制御する手段とを備えたことを特徴とする。

請求項9に記載の発明は、請求項8に記載のCDMA受信装置において、前記重み付けを制御する手段は、前記チャンネル推定値を用いて前記パイロットシンボル系列のチャンネル変動を補償する手段と、前記補償されたパイロットシンボル系列、および理想的なパイロットシンボル系列に基づき誤差信号を生成する手段と、前記誤差信号、および前記パイロットブロックに含まれる前記パイロットシンボルの平均値を用いて前記重み付けの制御を行う手段とを有することを特徴とする。

請求項10に記載の発明は、請求項8に記載のCDMA受信装置において、前記重み付けを制御する手段は、前記補償されたデータシンボル系列、および前記補償されたデータシンボル系列を復調し、データ判定した結果に基づき誤差信号を生成する手段と、前記誤差信号、および前記パイロットブロックに含まれる前記パイロットシンボルの平均値を用いて前記重み付けの制御を行う手段とを有することを特徴とする。

請求項11に記載の発明は、請求項8に記載のCDMA受信装置において、前記重み付けを制御する手段は、前記データシンボルの前記チャンネル推定値と、前記パイロットブロックに含まれる前記パイロットシンボルの平均値との内積値を更新値として前記重み付けの制御を行うことを特徴とする。

請求項 1 2 に記載の発明は、請求項 8 ないし 1 1 のいずれかに記載の CDMA 受信装置において、前記 CDMA 受信装置は、第 1 拡散符号を用いて拡散されたデータシンボル系列と、前記データシンボル系列に対し並列であり、第 2 拡散符号を用いて拡散されたパイロットシンボル系列とを含む信号を受信し、前記第 1 拡散符号と前記第 2 拡散符号とは互いに直交することを特徴とする。

請求項 1 3 に記載の発明は、請求項 8 ないし 1 2 のいずれかに記載の CDMA 受信装置において、前記 CDMA 受信装置は、第 1 搬送波に乘せられた拡散されたデータシンボル系列と、前記データシンボル系列に対し並列であり、第 2 搬送波に乘せられた拡散されたパイロットシンボル系列とを含む信号を受信し、前記第 1 搬送波と前記第 2 搬送波とは互いに直交することを特徴とする。

請求項 1 4 に記載の発明は、請求項 8 ないし 1 3 のいずれかに記載の CDMA 受信装置において、前記データシンボル系列中の n 番目 (n は整数) のデータシンボルの前記チャネル推定値を取得する場合、前記複数のパイロットブロックは、前記パイロットシンボル系列中の $(n - K + 1)$ 番目 (K は自然数) のパイロットシンボルから $(n + K)$ 番目のパイロットシンボルまでにより形成されることを特徴とする。

請求項 1 5 に記載の発明は、請求項 8 ないし 1 4 のいずれかに記載の CDMA 受信装置において、前記複数のパイロットブロックは長さが同じであることを特徴とする。

請求項 1 6 に記載の発明は、複数のスロットを有し、データシンボルとパイロットシンボルとを含んだ合成シンボル系列を含む信号を送信する送信処理部と前記信号を受信し、復調する受信処理部とを備えた CDMA 送受信装置であって、前記受信処理部は、前記合成シンボル系列における前

記パイロットシンボルの位置を検出する手段と、前記検出結果に基づき、複数のスロットにおいて、前記合成シンボル系列から前記パイロットシンボルを取り出し、パイロットブロックを生成する手段と、前記パイロットブロックに含まれる前記パイロットシンボルの平均値の各々を重み付け加算して、チャンネル推定値を取得する手段と、前記検出結果に基づき、前記合成シンボル系列からデータシンボル系列を取得する手段と、前記チャンネル推定値を用いて前記データシンボル系列のチャンネル変動を補償する手段と、前記チャンネル変動の速度に応じて前記重み付けを制御する手段とを有することを特徴とする。

請求項 17 に記載の発明は、データシンボル系列、および前記データシンボル系列に対し並列なパイロットシンボル系列を含む信号を送信する送信処理部と、前記信号を受信し、復調する受信処理部とを備えた CDMA 送受信装置であって、前記受信処理部は、前記パイロットシンボル系列から複数のパイロットブロックを生成する手段と、前記パイロットブロックに含まれるパイロットシンボルの平均値の各々を重み付け加算して、チャンネル推定値を取得する手段と、前記チャンネル推定値を用いて前記データシンボル系列のチャンネル変動を補償する手段と、前記チャンネル変動の速度に応じて前記重み付けを制御する手段とを有することを特徴とする。

請求項 18 に記載の発明は、複数のスロットを有し、データシンボルとパイロットシンボルとを含んだ合成シンボル系列を含む信号を受信し、復調する CDMA 受信方法であって、前記合成シンボル系列における前記パイロットシンボルの位置を検出するステップと、前記検出結果に基づき、複数のスロットにおいて、前記合成シンボル系列から前記パイロットシンボルを取り出し、パイロットブロックを生成するステップと、前記パイロットブロックに含まれる前記パイロットシンボルの平均値の各々を重み付け

加算して、チャンネル推定値を取得するステップと、前記検出結果に基づき、前記合成シンボル系列からデータシンボル系列を取得するステップと、前記チャンネル推定値を用いて前記データシンボル系列のチャンネル変動を補償するステップとを備え、前記重み付けは前記チャンネル変動の速度に応じて制御されることを特徴とする。

請求項 19 に記載の発明は、データシンボル系列、および前記データシンボル系列に対し並列なパイロットシンボル系列を含む信号を受信し、復調する CDMA 受信方法であって、前記パイロットシンボル系列から複数のパイロットブロックを生成するステップと、前記パイロットブロックに含まれるパイロットシンボルの平均値の各々を重み付け加算して、チャンネル推定値を取得するステップと、前記チャンネル推定値を用いて前記データシンボル系列のチャンネル変動を補償するステップとを備え、前記重み付けは前記チャンネル変動の速度に応じて制御されることを特徴とする。

図面の簡単な説明

図 1 は、本発明の第 1 実施形態に係る CDMA 受信装置の構成例を示す図である。

図 2 は、図 2 A および図 2 B の関係を示す図である。

図 2 A は、本発明の第 1 実施形態に係る CDMA 受信装置による受信処理例を示すフローチャートである。

図 2 B は、本発明の第 1 実施形態に係る CDMA 受信装置による受信処理例を示すフローチャートである。

図 3 は、本発明の第 1 実施形態に係る CDMA 受信装置によるチャンネル推定の動作原理を、チャンネル推定例を用いて示す図である。

図 4 は、本発明の第 1 実施形態に係る CDMA 受信装置による重み付け

制御処理例を示すフローチャートである。

図 5 は、本発明の第 2 実施形態に係る CDMA 送受信装置の構成例を示す図である。

図 6 は、本発明の第 2 実施形態に係る CDMA 送受信装置の送信処理部の構成例を示す図である。

図 7 は、本発明の第 2 実施形態に係る CDMA 送受信装置の送信処理部による送信処理例を示すフローチャートである。

図 8 は、本発明の第 3 実施形態に係る CDMA 受信装置の構成例を示す図である。

図 9 は、本発明の第 3 実施形態に係る CDMA 受信装置による重み付け制御処理例を示すフローチャートである。

図 10 は、本発明の第 4 実施形態に係る CDMA 受信装置の構成例を示す図である。

図 11 は、本発明の第 4 実施形態に係る CDMA 受信装置による重み付け制御処理例を示すフローチャートである。

図 12 は、本発明の第 5 実施形態に係る CDMA 受信装置の構成例を示す図である。

図 13 は、図 13 A および図 13 B の関係を示す図である。

図 13 A は、本発明の第 5 実施形態に係る CDMA 受信装置による受信処理例を示すフローチャートである。

図 13 B は、本発明の第 5 実施形態に係る CDMA 受信装置による受信処理例を示すフローチャートである。

図 14 は、本発明の第 5 実施形態に係る CDMA 受信装置によるチャネル推定の動作原理を、チャネル推定例を用いて示す図である。

図 15 は、本発明の第 6 実施形態に係る CDMA 送受信装置の構成例を

示す図である。

図16は、本発明の第6実施形態に係るCDMA送受信装置の送信処理部の構成例を示す図である。

図17は、本発明の第6実施形態に係るCDMA送受信装置の送信処理部による送信処理例を示すフローチャートである。

図18は、本発明の第7実施形態に係るCDMA受信装置の構成例を示す図である。

図19は、本発明の第8実施形態に係るCDMA受信装置の構成例を示す図である。

図20は、2波レイリーモデル下における最大ドップラー周波数(f_d)とスロット時間(T_{slot})との積に対する所要誤り率($BER = 10^{-3}$)特性を示す図である。

図21は、 $f_d T_{slot} = 0.003125$ および $f_d T_{slot} = 0.28$ 時のVehicular-B環境下におけるBER特性を示す図である。

図22はVehicular-B環境下における $f_d T_{slot}$ に対する所要誤り率($BER = 10^{-3}$)特性を示す図である。

図23は、関連技術によるチャネル推定の動作原理を示す図である。

発明を実施するための最良の形態

以下、図面を参照して、本発明を実施するための最良の形態を詳細に説明する。

本発明の第1～4実施形態は、時間多重型パイロットチャネル方式によるCDMA受信装置およびCDMA送受信装置に関し、本発明の第5～8実施形態は、並列型パイロットチャネル方式によるCDMA受信装置およびCDMA送受信装置に関する。

(第1実施形態)

図1は、本発明の第1実施形態に係るCDMA受信装置の構成例を示す図である。本実施形態に係るCDMA受信装置100は、複数のスロットを有し、データシンボルとパイロットシンボルとを含んだ合成シンボル系列を含む信号を受信し、復調する。

CDMA受信装置100は、受信部110、マッチトフィルタ125、スロット同期検出部101、パイロットシンボル系列取得部112、パイロットブロック生成部111、チャンネル推定値取得部121、データシンボル系列取得部129、データシンボル系列補償部130、レイク合成部132、誤差信号生成部142、および重み付け制御部(MMSE)144を備える。図1に示すように、本実施形態においては、マッチトフィルタ125、スロット同期検出部101等はDSP(Digital Signal Processor)(およびプログラムを格納したメモリ)120によりソフトウェアとして実現されているが、ハードウェアとして実現してもよい。ハードウェアとして実現する場合には、必要に応じて遅延回路等も用いる。

図2Aおよび図2Bは、本実施形態に係るCDMA受信装置による受信処理例を示すフローチャートである。まず、ステップS201において、受信部110により受信信号、すなわち拡散された合成シンボル系列を受信する。ステップS202において、マッチトフィルタ125により、受信信号を逆拡散して合成シンボル系列を生成する。そして、ステップS203～S208において、スロット同期検出部101、パイロットシンボル系列取得部112、パイロットブロック生成部111およびチャンネル推定値取得部121により、チャンネル推定処理を行い、データシンボルおよびパイロットシンボルのチャンネル推定値を取得する。

図3は、本実施形態に係るチャンネル推定装置によるチャンネル推定の動作

原理を、 n 番目（ここで、 n は整数）のスロットの m 番目（ここで、 m は整数）のデータシンボルのチャンネル推定値を取得する例を用いて示す図である。図 3 の例における合成シンボル系列はスロット単位で送信電力制御されている。また、合成シンボル系列の各スロットは、複数かつ一定長のパイロットシンボルに複数かつ一定長のデータシンボルが続く形で構成されている。すなわち、合成シンボル系列は、データシンボル系列にパイロットシンボルを数シンボル単位で一定周期で挿入したスロットからなるフレーム構成を有する。

ただし、合成シンボル系列の各スロットにおけるデータシンボルおよびパイロットシンボルは単数としてもよいし、可変長としてもよい。また、データシンボルのみのスロット、またはパイロットシンボルのみのスロットがあってもよい。さらに、各スロットにおけるデータシンボルおよびパイロットシンボルの配置は自由である。

図 2 A に戻り、ステップ S 2 0 3 において、スロット同期検出部 1 0 1 により合成シンボル系列におけるパイロットシンボルの位置を検出する。

ステップ S 2 0 4 において、パイロットシンボル系列取得部 1 1 2 およびパイロットブロック生成部 1 1 1 により、複数のスロットにおいて、合成シンボル系列からパイロットシンボルを取り出し、パイロットブロックを生成する。すなわち、複数のスロットにおいて、ステップ S 2 0 3 の検出結果に基づきパイロットシンボル系列取得部 1 1 2 によりパイロットシンボル（系列）を取得し、パイロットブロック生成部 1 1 1 により取得したパイロットシンボルからパイロットブロックを生成する。

図 3 の例では、 $(n - K + 1)$ 番目（ここで、 K は自然数であり、図 3 の例では $K = 3$ としている）のスロットから $(n + K)$ 番目のスロットまでにおいて、合成シンボル系列からパイロットシンボルを取り出し、パイ

ロットブロックを生成している。パイロットブロックとはパイロットシンボルの集合である。

本実施形態においては、スロット内のすべてのパイロットシンボルによりパイロットブロックを形成しているが、スロット内の一部のパイロットシンボルによりパイロットブロックを形成してもよい。また、1パイロットシンボルにより1パイロットブロックを生成することもできる。さらに、パイロットブロックに含まれるパイロットシンボルの数は、スロットごとに異なるものとしてもよい。

パイロットブロックは、 n 番目のスロットのデータシンボルのチャネル推定値を求める場合に、図3の例のように n 番目のスロットを中心に時間的に前後にはほぼ同数個のスロットにおいて生成しなくてもよい。したがって、チャネル推定の遅延を考慮して、 n 番目のスロットより小さい（時間的に前の）スロットのみにおいて、パイロットブロックを生成することもできる。

ステップS205～S208において、チャネル推定値取得部121により、データシンボルおよびパイロットシンボルのチャネル推定値を取得する。まず、ステップS205でパイロットブロックに含まれるパイロットシンボル $\hat{\xi}$ （複素フェージング包絡線推定値）の平均をとり、パイロットブロック平均値 $\bar{\xi}$ を取得する。これをすべてのパイロットブロックについて行う（ステップS206）。1パイロットブロックに1パイロットシンボルしか含まれない場合には、そのパイロットシンボル $\hat{\xi}$ がそのままパイロットブロック平均値 $\bar{\xi}$ となる。図3の例では、 $n+i$ 番目のスロットのパイロットブロック（ $i=-K+1\sim K$ 、 $K=3$ ）の各々についてパイ

ロットブロック平均値 $\bar{\xi}(n+i)$ を取得している。

ステップ S 2 0 7 でパイロットブロック平均値 $\bar{\xi}$ の各々を重み付け係数 α で重み付け加算して、データシンボルおよびパイロットシンボルのチャネル推定値 $\tilde{\xi}_m$ を取得する。図 3 の例では、n 番目のスロットの m 番目のデータシンボルについて、n + i 番目のパイロットブロックの重み係数を $\alpha_{m,i}$ として、チャネル推定値 $\tilde{\xi}_m(n)$ を取得している。

また、本実施形態においては、重み付け制御のために、パイロットシンボルについてもチャネル推定値を取得する。チャネル推定値の取得はデータシンボルの場合と同様に、n 番目のスロットの m 番目のパイロットシンボルについて、n + i 番目のパイロットブロックの重み係数を $\alpha_{m,i}$ として、チャネル推定値 $\tilde{\xi}_m(n)$ を取得する。

チャネル推定値 $\tilde{\xi}_m(n)$ は式 (1) で与えられる。

$$\tilde{\xi}_m(n) = \sum_{i=-K+1}^K \alpha_{m,i} \cdot \bar{\xi}(n+i) \quad (1)$$

上記ステップ S 2 0 7 を、チャネル推定値を取得しようとするすべてのデータシンボルおよびパイロットシンボルについて行う (ステップ S 2 0 8)。

なお、1 スロット内のすべてのデータシンボルおよびパイロットシンボルに対して、同じ重み付け係数を用いて同じチャネル推定値を取得するよ

うにすることもできる。

チャンネル推定値を取得した後、ステップS 2 0 9において、データシンボル系列取得部 1 2 9 により、スロット同期検出部 1 0 1 の検出結果に基づき、合成シンボル系列からデータシンボル系列を取得する。

ステップS 2 1 0 において、データシンボル系列補償部 1 3 0 により、ステップS 2 0 3 ~ S 2 0 8 で得られた（データシンボルの）チャンネル推定値 $\tilde{\xi}_m$ を用いてデータシンボル系列のチャンネル変動（フェージング位相変動）を補償する。より具体的には、データシンボル系列にチャンネル推定値 $\tilde{\xi}_m$ の複素共役を乗じることによりデータシンボルのチャンネル変動を補償する。

ステップS 2 1 1 において、レイク合成部 1 3 2 により、各レイクフィンガからの補償されたデータシンボル系列を同相合成する。

図 4 は、本実施形態に係る CDMA 受信装置による重み付け制御処理例を示すフローチャートである。ステップS 4 0 1 において、パイロットシンボル系列補償部 1 4 6 により、ステップS 2 0 3 ~ S 2 0 8 で得られた（パイロットシンボルの）チャンネル推定値 $\tilde{\xi}_m$ を用いてパイロットシンボル系列のチャンネル変動を補償する。

ステップS 4 0 2 において、誤差信号生成部 1 4 2 により、補償されたパイロットシンボル系列、および理想的な（チャンネル変動による影響を受けていない）パイロットシンボル系列に基づき誤差信号（識別誤差情報）を生成する。理想的なパイロットシンボル系列は既知であり、受信装置 1 0 0 にあらかじめ用意してある。

ステップS403において、重み付け制御部(MMSE)144により、誤差信号、およびパイロットブロック平均値(各パイロットブロックより得られたチャンネル推定値) $\overline{\xi}$ を帰還情報として用いて重み付け(重み係数 $\alpha_{m,i}$)の制御を行う。

このように、パイロットシンボルに対する重み付け値を、チャンネル変動の速度に応じて適応的に最適化することにより、フェージング変動に対する耐性を向上させ、高精度なチャンネル推定を行うことができる。

(第2実施形態)

図5は、本発明の第2実施形態に係るCDMA送受信装置の構成例を示す図である。本実施形態に係るCDMA送受信装置500は、複数のスロットを有し、データシンボルとパイロットシンボルとを含んだ合成シンボル系列を含む信号を送信し、およびかかる信号を受信し、復調する。

CDMA送受信装置500は、送信処理部510と受信処理部520とを備える。受信処理部520の構成ならびに受信処理および重み付け制御処理は、本発明の第1実施形態に係るCDMA受信装置100の構成(図1)ならびに受信処理(図2Aおよび図2B)および重み付け制御処理(図4)と同様である。

図6は、本実施形態に係るCDMA送受信装置の送信処理部の構成例を示す図である。図6に示すように、送信処理部510は、送信部610、通信路符号化部622、合成部630、および拡散部627を備える。本実施形態においては、通信路符号化部622、合成部630等はDSP(およびプログラムを格納したメモリ)620によりソフトウェアとして実現されているが、ハードウェアとして実現してもよい。

図7は、本実施形態に係るCDMA送受信装置の送信処理部による送信

処理例を示すフローチャートである。まず、ステップS701において、通信路符号化部622により、データ系列を変調（符号化）して、データシンボル系列を生成する。ステップS702において、合成部630により、データシンボル系列の各スロットにパイロットシンボルを挿入して合成シンボル系列を生成する。ステップS703において、拡散部627により、合成シンボル系列を拡散して送信信号（拡散された合成シンボル系列）を生成する。ステップS704において、送信部610により、送信信号を送信する。

（第3実施形態）

図8は、本発明の第3実施形態に係るCDMA受信装置の構成例を示す図である。本実施形態に係るCDMA受信装置800は、複数のスロットを有し、データシンボルとパイロットシンボルとを含んだ合成シンボル系列を含む信号を受信し、復調する。

CDMA受信装置800は、受信部810、マッチトフィルタ825、スロット同期検出部801、パイロットシンボル系列取得部812、パイロットブロック生成部811、チャネル推定値取得部821、データシンボル系列取得部829、データシンボル系列補償部830、レイク合成部832、データ判定部846、誤差信号生成部842、および重み付け制御部（MMSE）844を備える。図8に示すように、本実施形態においては、マッチトフィルタ825、スロット同期検出部801等はDSP（およびプログラムを格納したメモリ）820によりソフトウェアとして実現されているが、ハードウェアとして実現してもよい。受信部810、マッチトフィルタ825等の構成および機能は、本発明の第1実施形態に係るCDMA受信装置100の対応する要素と同様である。また、本実施形態に係るCDMA受信装置800では、本発明の第1実施形態に係るC

DMA受信装置100の受信処理(図2Aおよび図2B)と同様の処理が行われる。ただし、本実施形態においては、パイロットシンボルのチャンネル推定値を求める必要はない。

図9は、本実施形態に係るCDMA受信装置による重み付け制御処理例を示すフローチャートである。ステップS901において、誤差信号生成部842により、補償されたデータシンボル系列、および補償されたデータシンボル系列を復調し、データ判定した結果に基づき誤差信号(識別誤差情報)を生成する。データ判定は、データ判定部846がレイク合成部832の出力を判定(0/1)することにより行う。

ステップS902において、重み付け制御部(MMSE)844により、誤差信号、およびパイロットブロック平均値(各パイロットブロックより得られたチャンネル推定値) $\overline{\xi}$ を帰還情報として用いて重み付け(重み係数 $\alpha_{m,i}$)の制御を行う。

このように、パイロットシンボルに対する重み付け値を、チャンネル変動の速度に応じて適応的に最適化することにより、フェージング変動に対する耐性を向上させ、高精度なチャンネル推定を行うことができる。

また、本実施形態においては、パイロットシンボル周期(スロット周期)ではなく、シンボル周期で重み係数の更新を行うことができるので、重み係数の収束能力を向上させることができる。

なお、本発明の第3実施形態に係るCDMA受信装置800を受信処理部として、および本発明の第2実施形態に係るCDMA送受信装置500の送信処理部510を送信処理部としてCDMA送受信装置を構成することができる。

(第4実施形態)

図10は、本発明の第4実施形態に係るCDMA受信装置の構成例を示す図である。本実施形態に係るCDMA受信装置1000は、複数のスロットを有し、データシンボルとパイロットシンボルとを含んだ合成シンボル系列を含む信号を受信し、復調する。

CDMA受信装置1000は、受信部1010、マッチトフィルタ1025、スロット同期検出部1001、パイロットシンボル系列取得部1012、パイロットブロック生成部1011、チャネル推定値取得部1021、データシンボル系列取得部1029、データシンボル系列補償部1030、レイク合成部1032、および重み付け制御部（内積演算）1044を備える。図10に示すように、本実施形態においては、マッチトフィルタ1025、スロット同期検出部1001等はDSP（およびプログラムを格納したメモリ）1020によりソフトウェアとして実現されているが、ハードウェアとして実現してもよい。受信部1010、マッチトフィルタ1025等の構成および機能は、本発明の第1実施形態に係るCDMA受信装置100の対応する要素と同様である。また、本実施形態に係るCDMA受信装置1000では、本発明の第1実施形態に係るCDMA受信装置100の受信処理（図2Aおよび図2B）と同様の処理が行われる。ただし、本実施形態においては、パイロットシンボルのチャネル推定値を求める必要はない。

図11は、本実施形態に係るCDMA受信装置による重み付け制御処理例を示すフローチャートである。ステップS1101において、重み付け制御部（内積演算）1044により、データシンボルのチャネル推定値 $\tilde{\epsilon}$ と、およびパイロットブロック平均値（各パイロットブロックより得られ

たチャンネル推定値) $\bar{\xi}$ との内積値 (相関値) を更新値 (帰還情報) として、式 (2) に示すように、重み付け (重み係数 $\alpha_{m,i}$) の制御 (更新) を行う。

$$\left. \begin{aligned}
 \mathbf{A}_m(n) &= \mathbf{A}_m(n-1) + \mu \tilde{\xi}_m(n) \bar{\mathbf{X}}(n) \\
 \mathbf{A}_m(n) &= \begin{pmatrix} \alpha_{m,K+1}(n) \\ \alpha_{m,K+2}(n) \\ \cdot \\ \cdot \\ \alpha_{m,K-1}(n) \\ \alpha_{m,K}(n) \end{pmatrix}, \bar{\mathbf{X}}(n) = \begin{pmatrix} \bar{\xi}(n-K+1) \\ \bar{\xi}(n-K+2) \\ \cdot \\ \cdot \\ \bar{\xi}(n+K-1) \\ \bar{\xi}(n+K) \end{pmatrix} \\
 \tilde{\xi}_m(n) &= \mathbf{A}_m^t(n-1) \cdot \bar{\mathbf{X}}(n)
 \end{aligned} \right\} (2)$$

ここで、 $\mathbf{A}_m(n)$ は n 番目のスロット時における m 番目のデータシンボルの重み付け係数であり、 μ は更新のステップサイズであり、 $\bar{\xi}(n+i)$ は $n+i$ 番目のスロットのパイロットブロック平均値であり、 $\tilde{\xi}_m(n)$ は n 番目のスロットの m 番目のデータシンボルのチャンネル推定値である。また、 $\mathbf{A}_m^t(n)$ は $\mathbf{A}_m(n)$ の転置行列を示す。

このように、パイロットシンボルに対する重み付け値を、チャンネル変動の速度に応じて適応的に最適化することにより、フェージング変動に対する耐性を向上させ、高精度なチャンネル推定を行うことができる。

また、本実施形態においては、データを復調する必要性や誤差信号を生成する必要性がなく、簡単な構成でチャンネル変動に応じた重み付けの制御を行うことができる。

なお、本発明の第4実施形態に係るCDMA受信装置1000を受信処理部として、および本発明の第2実施形態に係るCDMA送受信装置500の送信処理部510を送信処理部としてCDMA送受信装置を構成することができる。

(第5実施形態)

図12は、本発明の第5実施形態に係るCDMA受信装置の構成例を示す図である。本実施形態に係るCDMA受信装置1200は、データシンボル系列、および前記データシンボル系列に対し並列なパイロットシンボル系列を含む信号を受信し、復調する。

CDMA受信装置1200は、受信部1210、データシンボル系列用マッチトフィルタ1224、パイロットシンボル系列用マッチトフィルタ1226、パイロットブロック生成部1211、チャンネル推定値取得部1221、データシンボル系列補償部1230、レイク合成部1232、誤差信号生成部1242、および重み付け制御部(MMSE)1244を備える。図12に示すように、本実施形態においては、データシンボル系列用マッチトフィルタ1224、パイロットシンボル系列用マッチトフィルタ1226等はDSP(およびプログラムを格納したメモリ)1220によりソフトウェアとして実現されているが、ハードウェアとして実現してもよい。

図13Aおよび図13Bは、本実施形態に係るCDMA受信装置による受信処理例を示すフローチャートである。まず、ステップS1301において、受信部1210により受信信号、すなわち拡散されたデータシンボル系列、および拡散されたパイロットシンボル系列を受信する。

本実施形態においては、互いに直交する第1拡散符号および第2拡散符号によりそれぞれ拡散されたデータシンボル系列およびパイロットシンボル系列を受信するものとしている。ただし、互いに直交しない第1拡散符号および第2拡散符号によりそれぞれ拡散されたデータシンボル系列およびパイロットシンボル系列を受信するものとすることもできる。

また、本実施形態においては、互いに直交する第1搬送波および第2搬送波にそれぞれ乗せられた、拡散されたデータシンボル系列および拡散されたパイロットシンボル系列を受信するものとしている。ただし、互いに直交しない第1搬送波および第2搬送波にそれぞれ乗せられた、拡散されたデータシンボル系列および拡散されたパイロットシンボル系列を受信するものとすることもできる。互いに直交する搬送波の例としては、正弦波と余弦波が挙げられる。

ステップS1302において、データシンボル系列用マッチトフィルタ1224により、第1拡散符号を用いて受信信号を逆拡散して、データシンボル系列を生成する。ステップS1303において、パイロットシンボル系列用マッチトフィルタ1226により、第2拡散符号を用いて受信信号を逆拡散して、パイロットシンボル系列を生成する。そして、ステップS1304～S1308において、パイロットブロック生成部1211およびチャネル推定値取得部1221により、チャネル推定処理を行い、データシンボルおよびパイロットシンボルのチャネル推定値を取得する。

図14は、本実施形態に係るチャネル推定装置によるチャネル推定の動

作原理を、 n 番目（ここで、 n は整数）のデータシンボルのチャネル推定値を取得する例を用いて示す図である。図14の例においては、電力損を押しやるため、パイロットシンボル系列の電力は、データシンボル系列の電力よりも小さくしている。また、データシンボル系列およびパイロットシンボル系列はスロット単位で送信電力制御されている。

図13Aに戻り、ステップS1304において、パイロットブロック生成部1211によりパイロットシンボル系列から複数のパイロットブロックを生成する。図14の例では、 n 番目のパイロットシンボルを中心に、 λ ビットの長さのパイロットブロックを時間的に前後に L 個（本例では3個）生成するために、 $(n-K+1)$ 番目のパイロットシンボルから $(n+K)$ 番目のパイロットシンボルまでを用いている（ここで、 $K=L \times \lambda$ 、 K は自然数）。

パイロットブロックは、多くの異なるスロットに属するパイロットシンボルにより形成し、それらのパイロットシンボルをチャネル推定に用いることが好ましい。スロットが異なるパイロットシンボル間では電力が異なるが、この差に起因するチャネル推定誤差よりも、より多くのスロットのパイロットシンボルを用いることによる熱雑音、干渉信号の影響の低減効果の方が大きく、より高精度なチャネル推定を行うことができるからである。図14の例では、7個の異なるスロットに属するパイロットシンボルにより6個のパイロットブロックを形成している。

パイロットブロックは、 n 番目のデータシンボルのチャネル推定値を求める場合に、図3の例のように n 番目のパイロットシンボルを中心に時間的に前後に同数個生成しなくてもよい。したがって、チャネル推定の遅延を考慮して、 n 番目より小さい（時間的に前の）パイロットシンボルのみからパイロットブロックを生成することもできる。

1パイロットブロックの長さは1スロットの長さとは関係なく選択することができる。また、1パイロットブロックの長さを1パイロットシンボルの長さとして、すなわち1パイロットブロックを1パイロットシンボルで形成することもできる。さらに、パイロットブロックの長さは、パイロットブロックごとに異なるものとしてもよい。

ステップS1305～S1307において、チャンネル推定値取得部1221により、データシンボルおよびパイロットシンボルのチャンネル推定値を取得する。まず、ステップS1305でパイロットブロックに含まれるパイロットシンボル $\hat{\xi}$ （複素フェージング包絡線推定値）の平均をとり、パイロットブロック平均値 $\bar{\xi}$ を取得する。これをすべてのパイロットブロックについて行う（ステップS1306）。1パイロットブロックに1パイロットシンボルしか含まれない場合には、そのパイロットシンボル $\hat{\xi}$ がそのままパイロットブロック平均値 $\bar{\xi}$ となる。図14の例では、 i 番目のパイロットブロック（ $i = -L \sim L$, $i \neq 0$ ）の各々についてパイロットブロック平均値 $\bar{\xi}(n_i)$ を取得している。

ステップS1307でパイロットブロック平均値 $\bar{\xi}$ の各々を重み付け加算して、データシンボルおよびパイロットシンボルのチャンネル推定値 $\tilde{\xi}$ を取得する。図14の例では、 i 番目のパイロットブロックの重み係数を α_i として、 n 番目のデータシンボルのチャンネル推定値 $\tilde{\xi}(n)$ を取得している。

また、本実施形態においては、重み付け制御のために、パイロットシン

ボルについてもチャネル推定値を取得する。n番目のパイロットシンボルのチャネル推定値としては、n番目のデータシンボルのチャネル推定値

$\tilde{\xi}(n)$ をそのまま用いることができる。

チャネル推定値 $\tilde{\xi}(n)$ は式(3)で与えられる。

$$\tilde{\xi}(n) = \sum_{i=-L, i \neq 0}^L \alpha_i \cdot \tilde{\xi}(n_i) \quad (3)$$

上記ステップS1304～S1307を、チャネル推定値を取得しようとするすべてのデータシンボルおよびパイロットシンボルについて行う(ステップS1308)。

チャネル推定値を取得した後、ステップS1309において、データシンボル系列補償部1230により(データシンボルの)チャネル推定値 $\tilde{\xi}$ を用いてデータシンボル系列のチャネル変動を補償する。より具体的には、データシンボル系列にチャネル推定値 $\tilde{\xi}$ の複素共役を乗じることによりデータシンボルのチャネル変動を補償する。

ステップS1310において、レイク合成部1232により、各レイクフィンガからの補償されたデータシンボル系列を同相合成する。

本実施形態に係るCDMA受信装置1200では、本発明の第1実施形態に係るCDMA受信装置100の重み付け制御処理(図4)と同様の処理が行われる。すなわち、ステップS401において、パイロットシンボ

ル系列補償部 1 2 4 6 により、(パイロットシンボルの) チャネル推定値 $\hat{\xi}$ を用いてパイロットシンボル系列のチャネル変動を補償する。

ステップ S 4 0 2 において、誤差信号生成部 1 2 4 2 により、補償されたパイロットシンボル系列、および(チャネル変動による影響を受けていない)理想的なパイロットシンボル系列に基づき誤差信号(識別誤差情報)を生成する。理想的なパイロットシンボル系列は既知であり、受信装置 1 2 0 0 にあらかじめ用意してある。

ステップ S 4 0 3 において、重み付け制御部(MMSE) 1 2 4 4 により、誤差信号、およびパイロットブロック平均値(各パイロットブロックより得られたチャネル推定値) $\bar{\xi}$ を帰還情報として用いて重み付け(重み係数 α_i) の制御を行う。

このように、パイロットシンボルに対する重み付け値を、チャネル変動の速度に応じて適応的に最適化することにより、フェージング変動に対する耐性を向上させ、高精度なチャネル推定を行うことができる。

(第 6 実施形態)

図 1 5 は、本発明の第 6 実施形態に係る CDMA 送受信装置の構成例を示す図である。本実施形態に係る CDMA 送受信装置 1 5 0 0 は、データシンボル系列、および前記データシンボル系列に対し並列なパイロットシンボル系列を含む信号を送信し、およびかかる信号を受信し、復調する。

CDMA 送受信装置 1 5 0 0 は、送信処理部 1 5 1 0 と受信処理部 1 5 2 0 とを備える。受信処理部 1 5 2 0 の構成ならびに受信処理および重み付け制御処理は、本発明の第 5 実施形態に係る CDMA 受信装置 1 2 0 0 の構成(図 1 2)ならびに受信処理(図 1 3 A および図 1 3 B) および重み付け制御処理(図 4)と同様である。

図16は、本実施形態に係るCDMA送受信装置の送信処理部の構成例を示す図である。図16に示すように、送信処理部1510は、送信部1610、通信路符号化部1622、データシンボル系列用拡散部1626、パイロットシンボル系列用拡散部1628、および合成部1630を備える。本実施形態においては、通信路符号化部1622、データシンボル系列用拡散部1626等はDSP（およびプログラムを格納したメモリ）1620によりソフトウェアとして実現されているが、ハードウェアとして実現してもよい。

図17は、本実施形態に係るCDMA送受信装置の送信処理部による送信処理例を示すフローチャートである。まず、ステップS1701において、通信路符号化部1622により、データ系列を変調（符号化）して、データシンボル系列を生成する。ステップS1702において、データシンボル系列用拡散部1626により、第1拡散符号を用いてデータシンボル系列を拡散し、拡散されたデータシンボル系列を生成する。ステップS1703において、パイロットシンボル系列用拡散部1628により、第2拡散符号を用いてパイロットシンボル系列を拡散し、拡散されたパイロットシンボル系列を生成する。ステップS1704において、合成部1630により拡散されたデータシンボル系列と拡散されたパイロットシンボル系列とを合成して送信信号を生成する。ステップS1705において、送信部1610により、送信信号を送信する。

本実施形態においては、互いに直交する第1拡散符号および第2拡散符号を用いている。ただし、互いに直交しない第1拡散符号および第2拡散符号を用いるようにしてもよい。

また、本実施形態においては、互いに直交する第1搬送波および第2搬送波に拡散されたデータシンボル系列および拡散されたパイロットシンボ

ル系列をそれぞれ乗せた上で両搬送波を合成し、送信している。ただし、互いに直交しない第1搬送波および第2搬送波に拡散されたデータシンボル系列および拡散されたパイロットシンボル系列をそれぞれ乗せた上で両搬送波を合成し、送信するようにしてもよい。

(第7実施形態)

図18は、本発明の第7実施形態に係るCDMA受信装置の構成例を示す図である。本実施形態に係るCDMA受信装置1800は、データシンボル系列、および前記データシンボル系列に対し並列なパイロットシンボル系列を含む信号を受信し、復調する。

CDMA受信装置1800は、受信部1810、データシンボル系列用マッチトフィルタ1824、パイロットシンボル系列用マッチトフィルタ1826、パイロットブロック生成部1811、チャネル推定値取得部1821、データシンボル系列補償部1830、レイク合成部1832、データ判定部1846、誤差信号生成部1842、および重み付け制御部(MMSE)1844を備える。図18に示すように、本実施形態においては、データシンボル系列用マッチトフィルタ1824、パイロットシンボル系列用マッチトフィルタ1826等はDSP(およびプログラムを格納したメモリ)1820によりソフトウェアとして実現されているが、ハードウェアとして実現してもよい。受信部1810、データシンボル系列用マッチトフィルタ1824等の構成および機能は、本発明の第5実施形態に係るCDMA受信装置1200の対応する要素と同様である。また、本実施形態に係るCDMA受信装置1800では、本発明の第5実施形態に係るCDMA受信装置1200の受信処理(図13Aおよび図13B)と同様の処理が行われる。ただし、本実施形態においては、パイロットシンボルのチャネル推定値を求める必要はない。

また、本実施形態に係るCDMA受信装置1800では、本発明の第3実施形態に係るCDMA受信装置800の重み付け制御処理(図9)と同様の処理が行われる。すなわち、ステップS901において、誤差信号生成部1842により、補償されたデータシンボル系列、および補償されたデータシンボル系列を復調し、データ判定した結果に基づき誤差信号(識別誤差情報)を生成する。データ判定は、データ判定部1846がレイク合成部1832の出力を判定(0/1)することにより行う。

ステップS902において、重み付け制御部(MMSE)1844により、誤差信号、およびパイロットブロック平均値(各パイロットブロックより得られたチャネル推定値) $\bar{\xi}$ を帰還情報として用いて重み付け(重み係数 α_j)の制御を行う。

このように、パイロットシンボルに対する重み付け値を、チャネル変動の速度に応じて適応的に最適化することにより、フェージング変動に対する耐性を向上させ、高精度なチャネル推定を行うことができる。

なお、本発明の第7実施形態に係るCDMA受信装置1800を受信処理部として、および本発明の第6実施形態に係るCDMA送受信装置1500の送信処理部1510を送信処理部としてCDMA送受信装置を構成することができる。

(第8実施形態)

図19は、本発明の第8実施形態に係るCDMA受信装置の構成例を示す図である。本実施形態に係るCDMA受信装置1900は、データシンボル系列、および前記データシンボル系列に対し並列なパイロットシンボル系列を含む信号を受信し、復調する。

CDMA受信装置1900は、受信部1910、データシンボル系列用

マッチトフィルタ 1924、パイロットシンボル系列用マッチトフィルタ 1926、パイロットブロック生成部 1911、チャンネル推定値取得部 1921、データシンボル系列補償部 1930、レイク合成部 1932、および重み付け制御部（内積演算） 1944 を備える。図 19 に示すように、本実施形態においては、データシンボル系列用マッチトフィルタ 1924、パイロットシンボル系列用マッチトフィルタ 1926 等は DSP（およびプログラムを格納したメモリ） 1920 によりソフトウェアとして実現されているが、ハードウェアとして実現してもよい。受信部 1910、データシンボル系列用マッチトフィルタ 1924 等の構成および機能は、本発明の第 5 実施形態に係る CDMA 受信装置 1200 の対応する要素と同様である。また、本実施形態に係る CDMA 受信装置 1900 では、本発明の第 5 実施形態に係る CDMA 受信装置 1200 の受信処理（図 13A および図 13B）と同様の処理が行われる。ただし、本実施形態においては、パイロットシンボルのチャンネル推定値を求める必要はない。

また、本実施形態に係る CDMA 受信装置 1900 では、本発明の第 4 実施形態に係る CDMA 受信装置 1000 の重み付け制御処理（図 11）と同様の処理が行われる。すなわち、ステップ S1101 において、重み付け制御部（内積演算） 1944 により、データシンボルのチャンネル推定値 ξ と、およびパイロットブロック平均値（各パイロットブロックより得られたチャンネル推定値） $\bar{\xi}$ との内積値（相関値）を更新値（帰還情報）として、式（4）に示すように、重み付け（重み係数 α_i ）の制御（更新）を行う。

$$\begin{aligned}
 \mathbf{A}(n) &= \mathbf{A}(n-1) + \mu \tilde{\xi}(n) \bar{\mathbf{X}}(n) \\
 \mathbf{A}(n) &= \begin{pmatrix} \alpha_{-1}(n) \\ \vdots \\ \alpha_{-1}(n) \\ \alpha_1(n) \\ \alpha_1(n) \\ \vdots \\ \vdots \\ \alpha_L(n) \end{pmatrix}, \quad \bar{\mathbf{X}}(n) = \begin{pmatrix} \bar{\xi}(n_{-L}) \\ \vdots \\ \bar{\xi}(n_{-1}) \\ \bar{\xi}(n_1) \\ \vdots \\ \vdots \\ \bar{\xi}(n_L) \end{pmatrix} \quad (4) \\
 \tilde{\xi}(n) &= \mathbf{A}'(n-1) \cdot \bar{\mathbf{X}}(n)
 \end{aligned}$$

ここで、 $\mathbf{A}(n)$ は n 番目のデータシンボルの重み付け係数であり、 μ は更新のステップサイズであり、 $\bar{\xi}(n_i)$ は i 番目のパイロットブロックのパイロットブロック平均値であり、 $\tilde{\xi}(n)$ は n 番目のデータシンボルのチャンネル推定値である。また、 $\mathbf{A}'(n)$ は $\mathbf{A}(n)$ の転置行列を示す。

このように、パイロットシンボルに対する重み付け値を、チャンネル変動の速度に応じて適応的に最適化することにより、フェージング変動に対す

る耐性を向上させ、高精度なチャネル推定を行うことができる。

また、本実施形態においては、データを復調する必要性や誤差信号を生成する必要性がなく、簡単な構成でチャネル変動に応じた重み付けの制御を行うことができる。

なお、本発明の第8実施形態に係るCDMA受信装置1900を受信処理部として、および本発明の第6実施形態に係るCDMA送受信装置1500の送信処理部1510を送信処理部としてCDMA送受信装置を構成することができる。

(その他)

図20は、2波レイリーモデル下における最大ドップラー周波数(f_d)とスロット時間(T_{slot})との積に対する所要誤り率($BER = 10^{-3}$)特性を示す図である。図20には、本発明の第4実施形態に係るCDMA受信装置(時間多重型パイロットチャネル方式)による特性(TM_P)、本発明の第8実施形態に係るCDMA受信装置(並列型パイロットチャネル方式)による特性(Para_P)、従来の重み係数が固定であるCDMA受信装置(時間多重型パイロットチャネル方式)による特性(TM_C)、および従来の重み係数が固定であるCDMA受信装置(並列型パイロットチャネル方式)による特性(Para_C)が示されている。

図21は、 $f_d T_{slot} = 0.003125$ および $f_d T_{slot} = 0.28$ 時のVehicular-B環境下におけるBER特性を示す図であり、図22はVehicular-B環境下における $f_d T_{slot}$ に対する所要誤り率($BER = 10^{-3}$)特性を示す図である。

図20および図22より、本発明の第4実施形態に係るCDMA受信装置および本発明の第8実施形態に係るCDMA受信装置ともに従来のCDMA受信装置に比べて、低速フェージング時で2波レイリーモデル下で約

0.2 dB、Vehicular-B下で約0.4 dBの改善効果が得られ、高速フェージング下ではフェージング速度が大きくなるほどその改善効果が大きく現れていることがわかる。また、低速フェージング下においてVehicular-B環境下での改善効果が2波レイリーモデル下よりも大きいのは、Vehicular-B下では雑音の影響が大きいので低速フェージング時にはより多くのパイロットシンボルを利用できる本発明の改善効果が得られたためである。

さらに、低速から高速フェージングまでのすべての範囲で、時間多重型パイロットチャネル方式（本発明の第4実施形態に係るCDMA受信装置）と並列型パイロットチャネル方式（本発明の第8実施形態に係るCDMA受信装置）の差がないのは、低速時は推定に用いるエネルギーが等しく、フェージング変動が小さい為であり、高速時においてほぼ等しくなっているのは、時間多重型パイロットチャネル方式の特徴である短い時間で信号エネルギーが得られる効果と、並列型パイロットチャネル方式の同期加算数を時間多重型パイロットチャネル方式より少なくしたことによる高速フェージングに対する追従性の向上効果とがほぼ等しかったためであると考えられる。

以上説明したように、本発明によれば、パイロットシンボルに対する重み付け値を、チャネル変動の速度に応じて適応的に最適化することにより、フェージング変動に対する耐性を向上させ、高精度なチャネル推定を行うことができる。

高精度なチャネル推定およびそれに基づくデータシンボルのチャネル変動の補償を行うことができれば、例えば、レイリーフェージング環境下においても、絶対同期検波を用いてデータシンボルごとに絶対位相を判定することができ、所要の受信品質（受信誤り率）を得るために必要なSNI

Rを低減させることができる。したがって、送信電力を低減させることができ、システムの加入者容量を増大させることができる。

請求の範囲

1. 複数のスロットを有し、データシンボルとパイロットシンボルとを含んだ合成シンボル系列を含む信号を受信し、復調するCDMA受信装置であって、

前記合成シンボル系列における前記パイロットシンボルの位置を検出する手段と、

前記検出結果に基づき、複数のスロットにおいて、前記合成シンボル系列から前記パイロットシンボルを取り出し、パイロットブロックを生成する手段と、

前記パイロットブロックに含まれる前記パイロットシンボルの平均値の各々を重み付け加算して、チャネル推定値を取得する手段と、

前記検出結果に基づき、前記合成シンボル系列からデータシンボル系列を取得する手段と、

前記チャネル推定値を用いて前記データシンボル系列のチャネル変動を補償する手段と、

前記チャネル変動の速度に応じて前記重み付けを制御する手段と
を備えたことを特徴とするCDMA受信装置。

2. 請求項1に記載のCDMA受信装置において、前記重み付けを制御する手段は、

前記チャネル推定値を用いて、前記合成シンボル系列から取り出したパイロットシンボル系列のチャネル変動を補償する手段と、

前記補償されたパイロットシンボル系列、および理想的なパイロットシンボル系列に基づき誤差信号を生成する手段と、

前記誤差信号、および前記パイロットブロックに含まれる前記パイロットシンボルの平均値を用いて前記重み付けの制御を行う手段とを有することを特徴とするCDMA受信装置。

3. 請求項1に記載のCDMA受信装置において、前記重み付けを制御する手段は、

前記補償されたデータシンボル系列、および前記補償されたデータシンボル系列を復調し、データ判定した結果に基づき誤差信号を生成する手段と、

前記誤差信号、および前記パイロットブロックに含まれる前記パイロットシンボルの平均値を用いて前記重み付けの制御を行う手段とを有することを特徴とするCDMA受信装置。

4. 請求項1に記載のCDMA受信装置において、前記重み付けを制御する手段は、前記データシンボルの前記チャンネル推定値と、前記パイロットブロックに含まれる前記パイロットシンボルの平均値との内積値を更新値として前記重み付けの制御を行うことを特徴とするCDMA受信装置。

5. 請求項1ないし4のいずれかに記載のCDMA受信装置において、前記CDMA受信装置は、データシンボル系列にパイロットシンボルを数シンボル単位で一定周期で挿入したスロットからなるフレーム構成を有する合成シンボル系列を含む信号を受信することを特徴とするCDMA受信装置。

6. 請求項1ないし5のいずれかに記載のCDMA受信装置において、

前記パイロットブロックは、スロット内のすべてのパイロットシンボルから形成されることを特徴とするCDMA受信装置。

7. 請求項1ないし6のいずれかに記載のCDMA受信装置において、前記合成シンボル系列中の n 番目 (n は整数) のスロットのデータシンボルの前記チャンネル推定値を取得する場合、前記パイロットブロックは、前記合成シンボル系列中の $(n - K + 1)$ 番目 (K は自然数) のスロットから $(n + K)$ 番目のスロットまでにおいて生成されることを特徴とするCDMA受信装置。

8. データシンボル系列、および前記データシンボル系列に対し並列なパイロットシンボル系列を含む信号を受信し、復調するCDMA受信装置であって、

前記パイロットシンボル系列から複数のパイロットブロックを生成する手段と、

前記パイロットブロックに含まれるパイロットシンボルの平均値の各々を重み付け加算して、チャンネル推定値を取得する手段と、

前記チャンネル推定値を用いて前記データシンボル系列のチャンネル変動を補償する手段と、

前記チャンネル変動の速度に応じて前記重み付けを制御する手段とを備えたことを特徴とするCDMA受信装置。

9. 請求項8に記載のCDMA受信装置において、前記重み付けを制御する手段は、

前記チャンネル推定値を用いて前記パイロットシンボル系列のチャンネル変

動を補償する手段と、

前記補償されたパイロットシンボル系列、および理想的なパイロットシンボル系列に基づき誤差信号を生成する手段と、

前記誤差信号、および前記パイロットブロックに含まれる前記パイロットシンボルの平均値を用いて前記重み付けの制御を行う手段と

を有することを特徴とするCDMA受信装置。

10. 請求項8に記載のCDMA受信装置において、前記重み付けを制御する手段は、

前記補償されたデータシンボル系列、および前記補償されたデータシンボル系列を復調し、データ判定した結果に基づき誤差信号を生成する手段と、

前記誤差信号、および前記パイロットブロックに含まれる前記パイロットシンボルの平均値を用いて前記重み付けの制御を行う手段と

を有することを特徴とするCDMA受信装置。

11. 請求項8に記載のCDMA受信装置において、前記重み付けを制御する手段は、前記データシンボルの前記チャンネル推定値と、前記パイロットブロックに含まれる前記パイロットシンボルの平均値との内積値を更新値として前記重み付けの制御を行うことを特徴とするCDMA受信装置。

12. 請求項8ないし11のいずれかに記載のCDMA受信装置において、前記CDMA受信装置は、第1拡散符号を用いて拡散されたデータシンボル系列と、前記データシンボル系列に対し並列であり、第2拡散符号を用いて拡散されたパイロットシンボル系列とを含む信号を受信し、前記

第1拡散符号と前記第2拡散符号とは互いに直交することを特徴とするCDMA受信装置。

13. 請求項8ないし12のいずれかに記載のCDMA受信装置において、前記CDMA受信装置は、第1搬送波に乘せられた拡散されたデータシンボル系列と、前記データシンボル系列に対し並列であり、第2搬送波に乘せられた拡散されたパイロットシンボル系列とを含む信号を受信し、前記第1搬送波と前記第2搬送波とは互いに直交することを特徴とするCDMA受信装置。

14. 請求項8ないし13のいずれかに記載のCDMA受信装置において、前記データシンボル系列中の n 番目 (n は整数) のデータシンボルの前記チャンネル推定値を取得する場合、前記複数のパイロットブロックは、前記パイロットシンボル系列中の $(n - K + 1)$ 番目 (K は自然数) のパイロットシンボルから $(n + K)$ 番目のパイロットシンボルまでにより形成されることを特徴とするCDMA受信装置。

15. 請求項8ないし14のいずれかに記載のCDMA受信装置において、前記複数のパイロットブロックは長さが同じであることを特徴とするCDMA受信装置。

16. 複数のスロットを有し、データシンボルとパイロットシンボルとを含んだ合成シンボル系列を含む信号を送信する送信処理部と前記信号を受信し、復調する受信処理部とを備えたCDMA送受信装置であって、前記受信処理部は、

前記合成シンボル系列における前記パイロットシンボルの位置を検出する手段と、

前記検出結果に基づき、複数のスロットにおいて、前記合成シンボル系列から前記パイロットシンボルを取り出し、パイロットブロックを生成する手段と、

前記パイロットブロックに含まれる前記パイロットシンボルの平均値の各々を重み付け加算して、チャンネル推定値を取得する手段と、

前記検出結果に基づき、前記合成シンボル系列からデータシンボル系列を取得する手段と、

前記チャンネル推定値を用いて前記データシンボル系列のチャンネル変動を補償する手段と、

前記チャンネル変動の速度に応じて前記重み付けを制御する手段とを有することを特徴とするCDMA送受信装置。

17. データシンボル系列、および前記データシンボル系列に対し並列なパイロットシンボル系列を含む信号を送信する送信処理部と、前記信号を受信し、復調する受信処理部とを備えたCDMA送受信装置であって、前記受信処理部は、

前記パイロットシンボル系列から複数のパイロットブロックを生成する手段と、

前記パイロットブロックに含まれるパイロットシンボルの平均値の各々を重み付け加算して、チャンネル推定値を取得する手段と、

前記チャンネル推定値を用いて前記データシンボル系列のチャンネル変動を補償する手段と、

前記チャンネル変動の速度に応じて前記重み付けを制御する手段と

を有することを特徴とするCDMA送受信装置。

18. 複数のスロットを有し、データシンボルとパイロットシンボルとを含んだ合成シンボル系列を含む信号を受信し、復調するCDMA受信方法であって、

前記合成シンボル系列における前記パイロットシンボルの位置を検出するステップと、

前記検出結果に基づき、複数のスロットにおいて、前記合成シンボル系列から前記パイロットシンボルを取り出し、パイロットブロックを生成するステップと、

前記パイロットブロックに含まれる前記パイロットシンボルの平均値の各々を重み付け加算して、チャンネル推定値を取得するステップと、

前記検出結果に基づき、前記合成シンボル系列からデータシンボル系列を取得するステップと、

前記チャンネル推定値を用いて前記データシンボル系列のチャンネル変動を補償するステップと

を備え、前記重み付けは前記チャンネル変動の速度に応じて制御されることを特徴とするCDMA受信方法。

19. データシンボル系列、および前記データシンボル系列に対し並列なパイロットシンボル系列を含む信号を受信し、復調するCDMA受信方法であって、

前記パイロットシンボル系列から複数のパイロットブロックを生成するステップと、

前記パイロットブロックに含まれるパイロットシンボルの平均値の各々

を重み付け加算して、チャンネル推定値を取得するステップと、

前記チャンネル推定値を用いて前記データシンボル系列のチャンネル変動を補償するステップと

を備え、前記重み付けは前記チャンネル変動の速度に応じて制御されることを特徴とするCDMA受信方法。

FIG.2

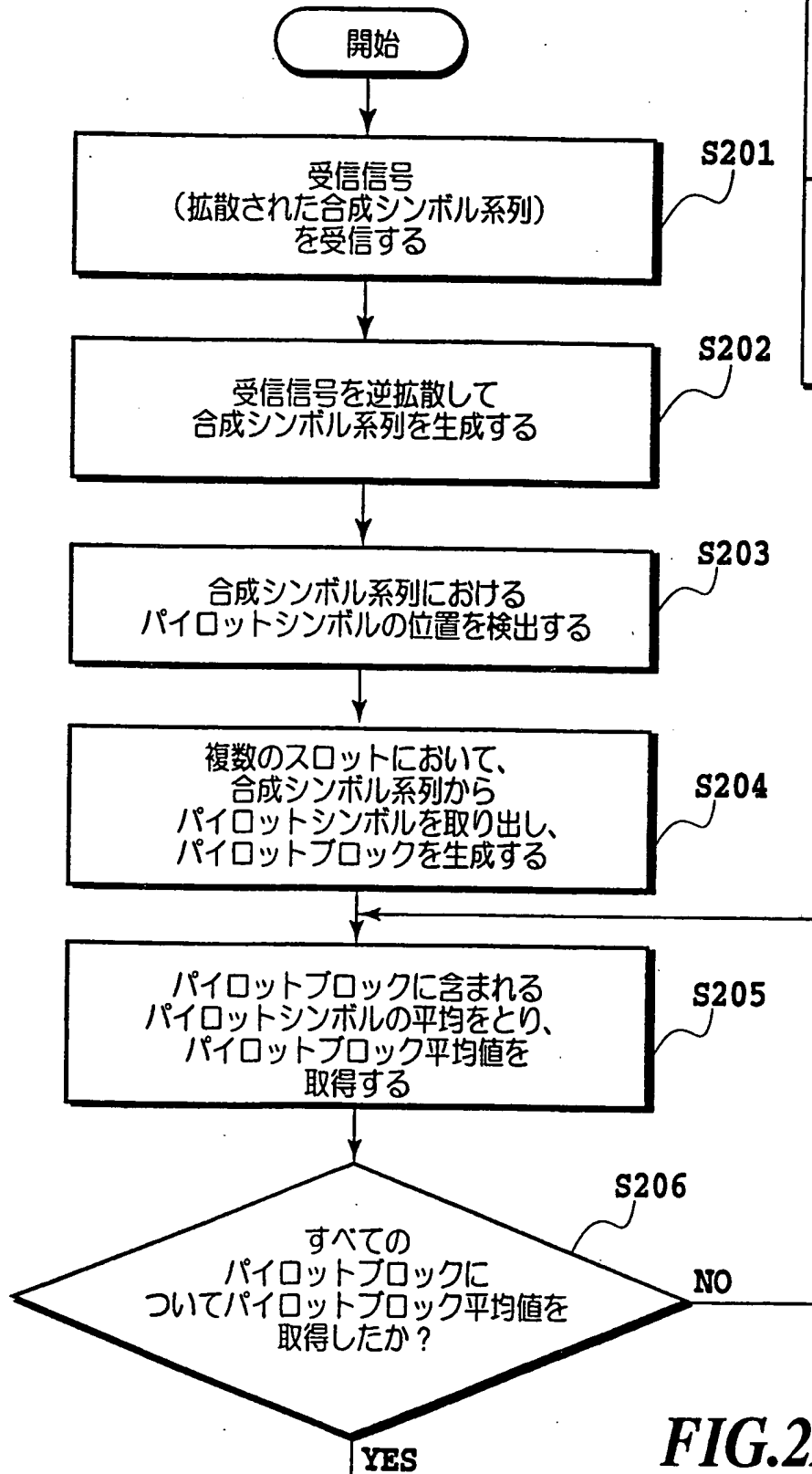


FIG.2A

FIG.2B

FIG.2A

3/25

パイロットプログラム実施の名称